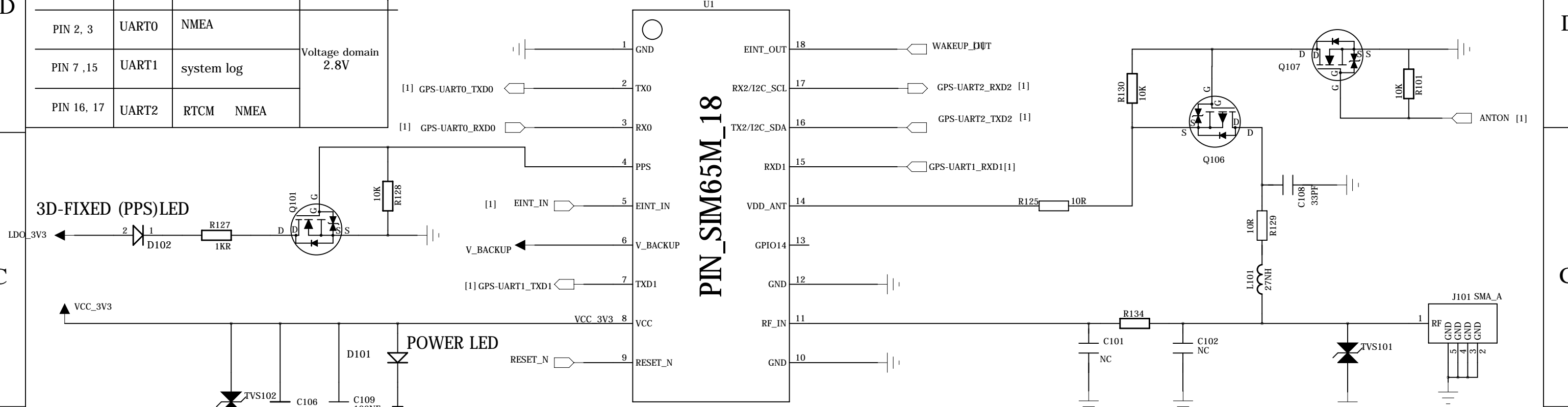
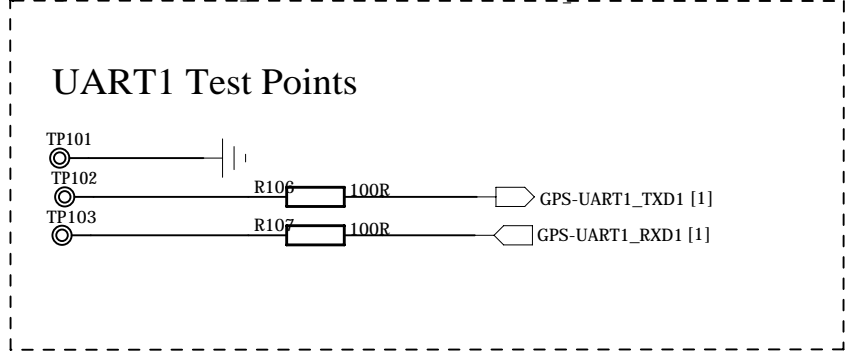


# SIM65M reference design

| PIN        | URAT  | URAT Features | Remarks             |
|------------|-------|---------------|---------------------|
| PIN 2, 3   | UART0 | NMEA          | Voltage domain 2.8V |
| PIN 7, 15  | UART1 | system log    |                     |
| PIN 16, 17 | UART2 | RTCM NMEA     |                     |

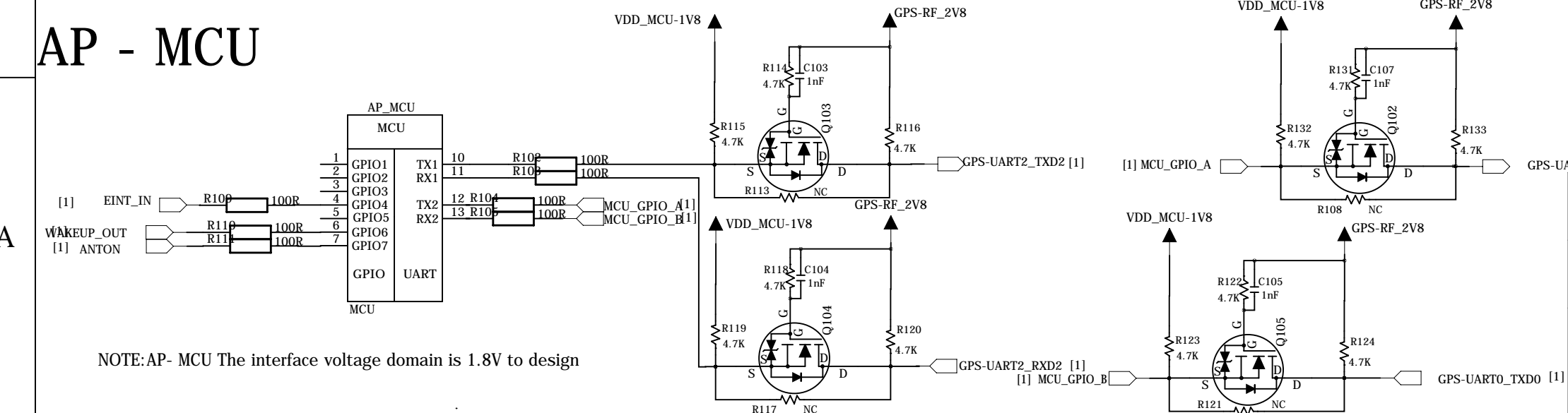


| PIN   | PIN name   | pin Features  | Remarks             |
|-------|------------|---|---------------------|
| PIN18 | WAKEUP_OUT | High active Level trigger<br>SIM65M wakeup host<br>Deafult internal PULL Low                      | Voltage domain 2.8V |
| PIN5  | EINT- IN   | HOST wake up SIM68MD<br>LOW active Edge trigger<br>Deafult internal PULL HIGH<br>Must be connect. |                     |
| PIN9  | RESET_N    | Reset the module,exit RTC Mode<br>Deafult internal PULL HIGH                                      | Voltage domain 1.8V |



Placed near the module, the capacitance value is small from the avenue

## AP - MCU



NOTE: AP- MCU The interface voltage domain is 1.8V to design

| SIMCOM Technology     |                   |                         |
|-----------------------|-------------------|-------------------------|
| DRAWN BY<br>LEI QIU   | PROJECT<br>SIM65M | TITLE<br>SIM65M-REF SCH |
| CHECKED BY<br>LEI QIU | SIZE<br>A3        | VER<br>1.01             |
| SHEET 1 of 1          |                   | 2021.08.17              |