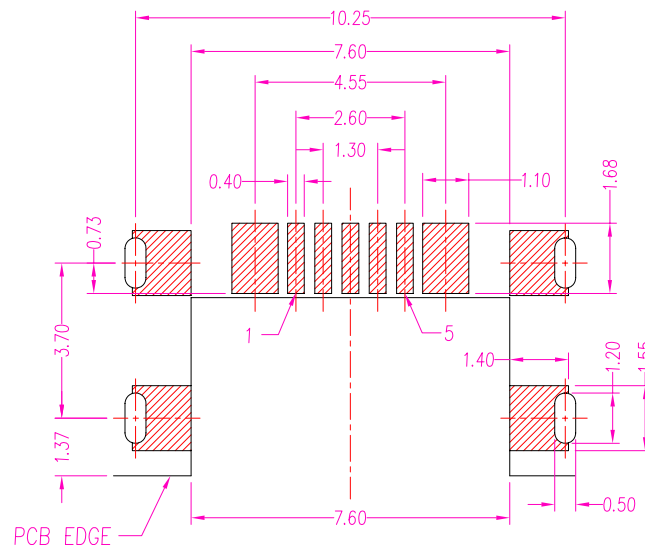
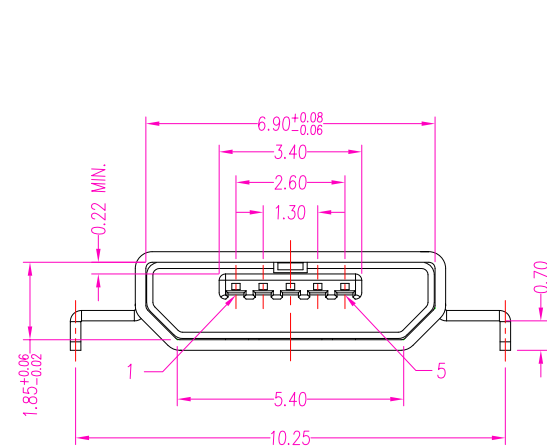
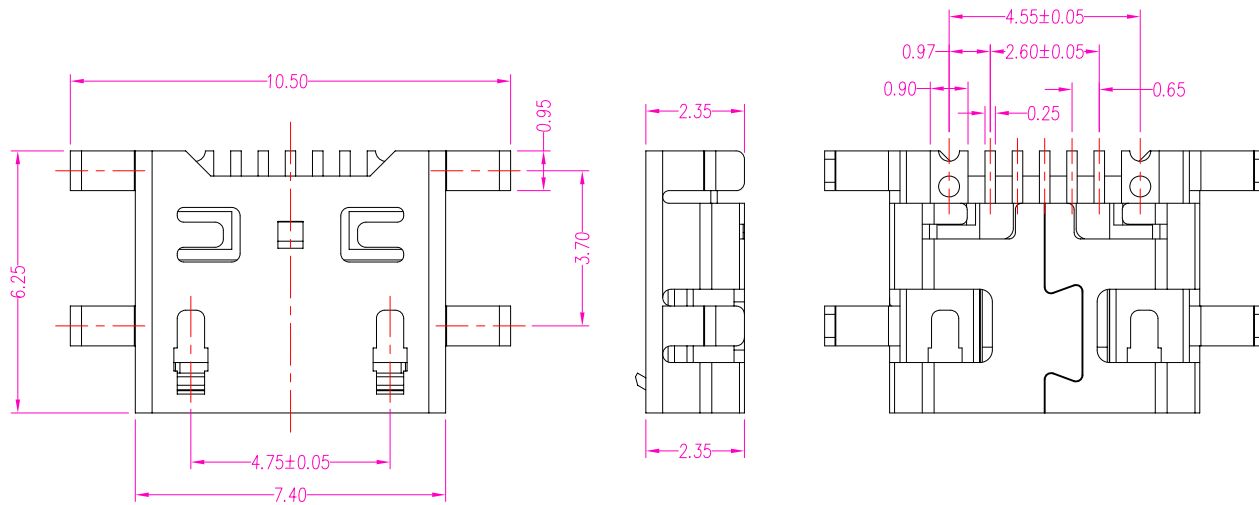


REV.	DESCRIPTION	DATE
1	PROPOSAL	Feb. 12, 2014



RECOMMEND P.C.B. LAYOUT
TOP VIEW

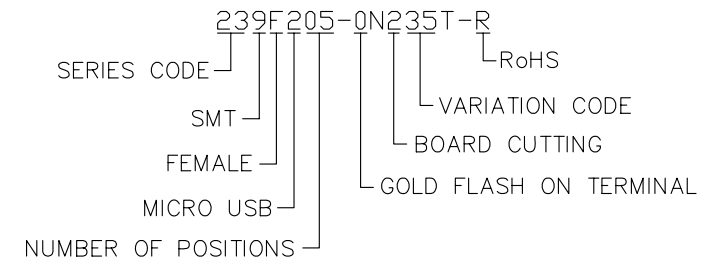
MATERIALS

1. HOUSING : L.C.P. (UL 94V-0), BLACK.
2. TERMINAL : COPPER ALLOY,
GOLD PLATED ON CONTACT AREA,
TIN PLATED ON SOLDER TAILS.
3. SHELL : STAINLESS STEEL, TIN PLATING.

SPECIFICATION

1. CURRENT RATING : 1 AMP. MAX.
2. DIELECTRIC WITHSTANDING VOLTAGE :
100V AC R.M.S. FOR ONE MINUTE.
3. INSULATION RESISTANCE : 100M OHMS MIN.
4. CONTACT RESISTANCE : 50m OHMS MAX.
5. OPERATING TEMPERATURE : -30°C TO +80°C.
6. DURABILITY : 5000 CYCLES.
7. MATING FORCE : 3.57kgf MAX.
8. UNMATING FORCE : 1.00kgf MIN.

PART NUMBER INFORMATION :



TOLERANCE .0=±0.25 .00=±0.15 .000=±.XXX .0000=±. ANG.=±3°	DRAWER <i>JANPE</i>	 WWW.ASTRON.COM.TW		
 UNITS : mm	CHECK <i>JYNG</i>		NAME MICRO USB FEMALE BOARD CUTTING	
SCALE NONE	SIZE A4	SHEET 1 OF 1	REV. 1	DRAW NO. 239F205-0N235T-R
				08031