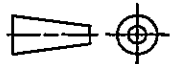
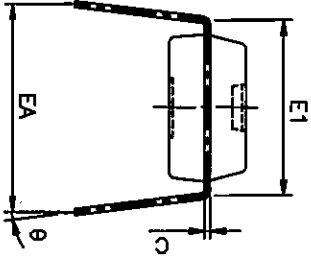
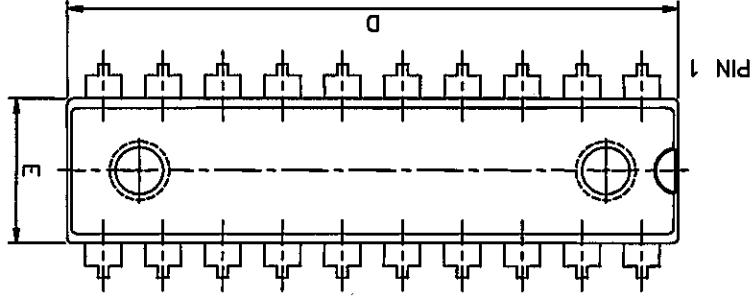
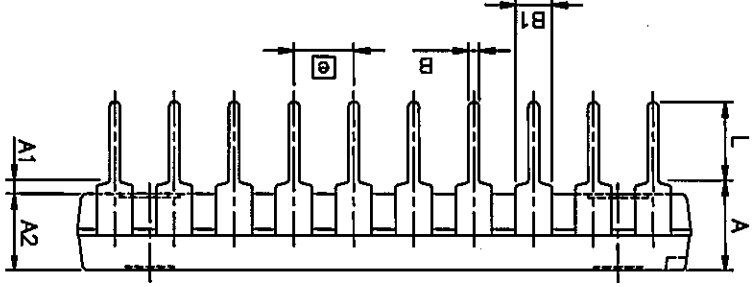
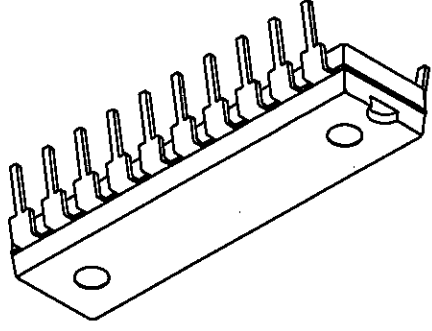


APPROVED DATE _____ UNIT _____ CHECKER DATE _____ JAME LIDL 03/18/98 DESIGNER DATE _____ MATERIAL _____ SCALE 2:1 SHEET NO. 1 OF 1		THIRD ANGLE PROJECTION  ALL DIMENSIONS IN MILLIMETERS .006 ±.006 .025 ±.006 .100 ±.006 .250 ±.006 .500 ±.006 .750 ±.006 1.000 ±.006
DWG. NO. ECL-D0200300-001 R0 FILE D200001		
P/N: AP89042-DIP G P-DIP 20L (300 MILS BODY) PACKAGE OUTLINE DWG.		TITLE
REV.	DESCRIPTION OF REVISION	SIGNATURE/DATE
1		
2		
3		



NOTE: 1. DIMENSION D & E DOES NOT INCLUDE FLASH.

SYMBOL	DIMENSION IN INCH	DIMENSION IN MM
A	0.170 MAX.	4.318 MAX.
A1	0.015 MIN.	0.381 MIN.
A2	0.130±0.005	3.302±0.127
B	0.018 TYP.	0.457 TYP.
B1	0.060 TYP.	1.524 TYP.
C	0.010 NOM.	0.254 NOM.
D	1.026±0.005	26.060±0.127
E	0.252±0.005	6.401±0.127
E1	0.300±0.010	7.62±0.254
EA	0.355±0.020	9.017±0.508
theta	0.100 TYP.	2.540 TYP.
L	0.130±0.010	3.302±0.254
theta	0~15°	0~15°