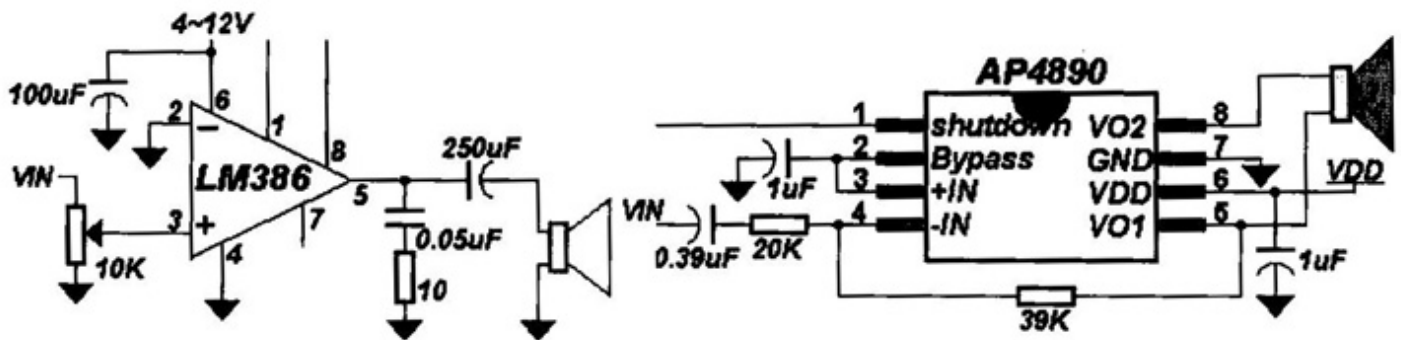
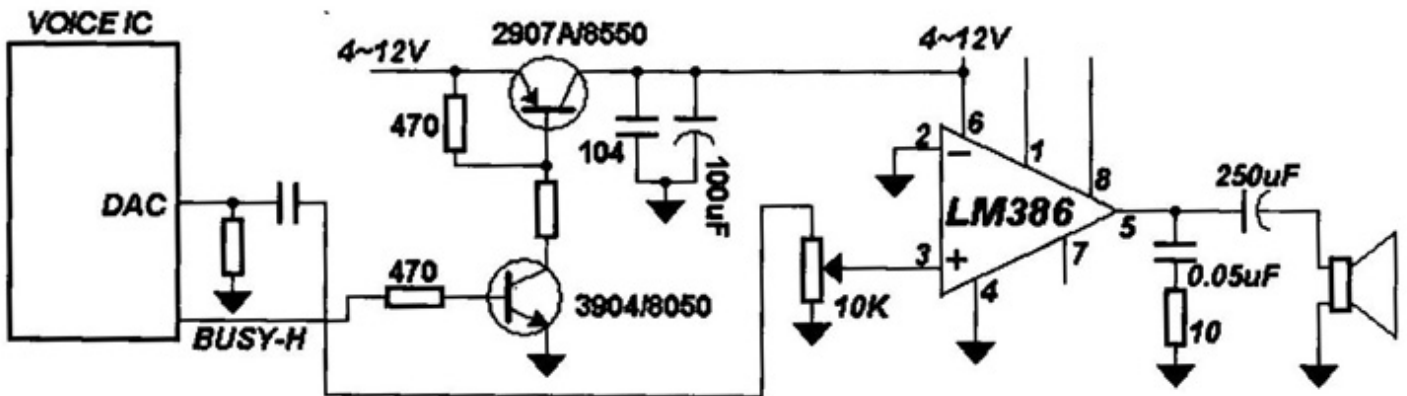


	LM386	AP4890
Working voltage	4.0V ~ 12.0V	2.2V ~ 5.5V
Quiescent current	4 mA	1 mA
ShutDown current	No	0.1uA
Output power	6V=325mW , 9V=700mW	5V=1W , 3V=0.31W
Total Harmonic Distortion	THD = 0.2%	THD+NOISE = 0.1%
Power Supply Rejection Ratio	PSRR = 50dB	70dB(5V) / 64dB(3V)

Amplifier with Gain = 20



- LM386 使用 Battery 應用,必須加 standby current control,且最少 4 pcs battery = 6V



- AP4890 使用 Battery 2 pcs or 3 pcs 均可,其最低 working voltage=2.2V,且使用 BUSY HIGH control AP4890 SHUTDOWN pin ,standby = 0.1 uA

