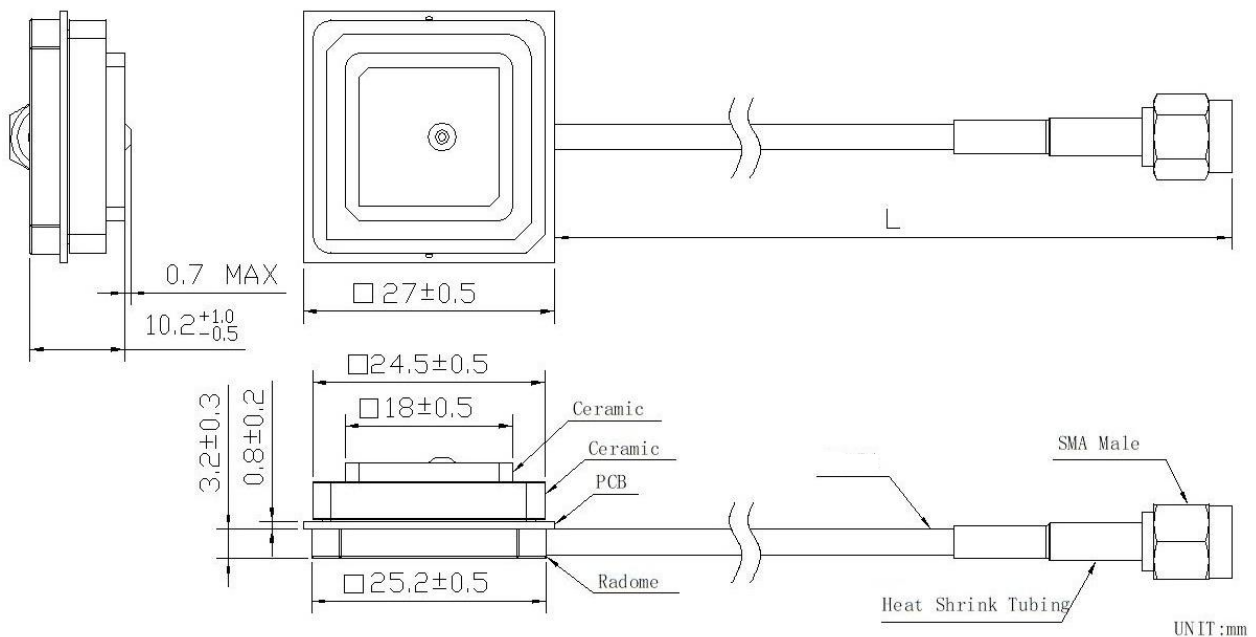


Dual Band High Accuracy GNSS Active Antenna JCN051S



DIMENSIONS



Zhejiang JC Antenna Co.,Ltd

Add: 398#, Zhenye Road, South Street, Jiaxing, Zhejiang, China

Http:// www.jinchanggps.com

E-mail: sale8@jinchanggps.com

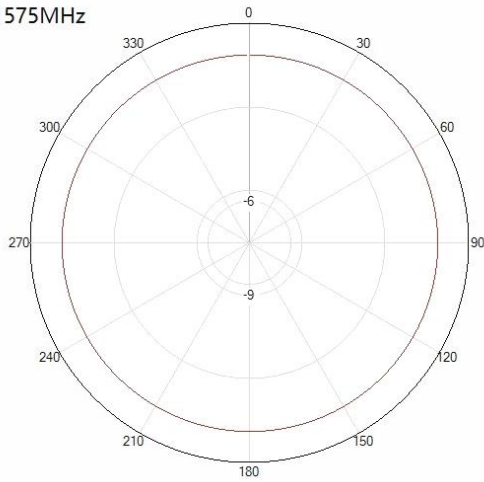
Tel: 86-0573-83692157/83692605/83958637 Fax: 86-0573-83958635

SPECIFICATIONS

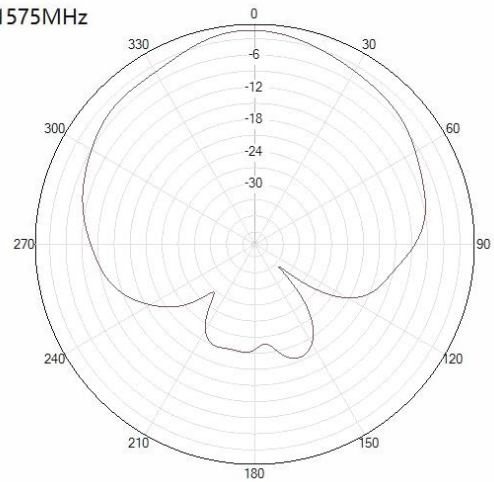
Item		Specifications
Antenna(2 layers)	Frequency Range	High Band GPS-L1:1575.42MHz Low Band GPS-L5:1176MHz
	Polarization	RHCP
	Gain	2dBic@PCB (Zenith)
	V.S.W.R	<1.5
	Impedance	50 Ω
LNA	Gain	28 \pm 2dB
	Noise Figure	\leq 1.5dB
	Supply Voltage	3~5V DC
	Current Consumption	<45mA
	V.S.W.R	<2.0
Mechanical	Cable	RG174 or LMR100
	Connector	SMA or others
	Mounting Method	Embedded
Environmental	Operating Temperature	-40 $^{\circ}$ C~+85 $^{\circ}$ C
	Relative Humidity	Up to 95%
	Vibration	10 to 55Hz with 1.5mm amplitude 2hours
	Environmentally Friendly	ROHS Compliant

Radiation Pattern

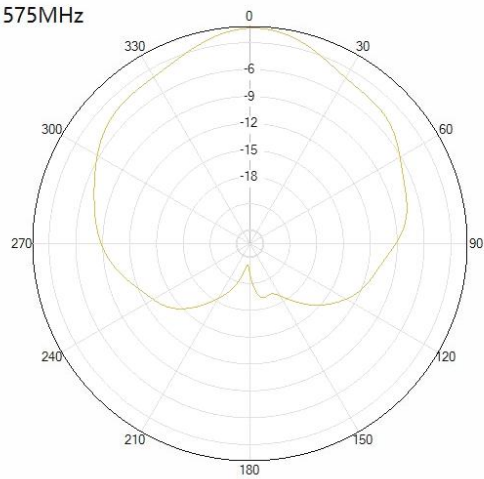
XY-PLANE
1575MHz



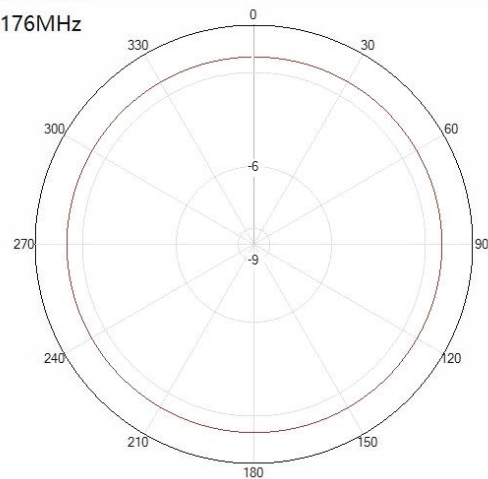
XZ-PLANE
1575MHz



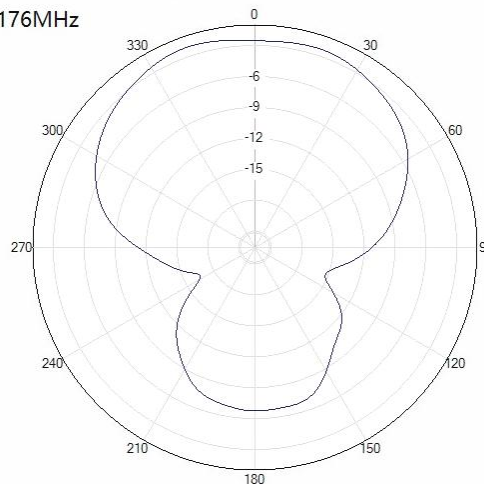
YZ-PLANE
1575MHz



XY-PLANE
1176MHz



XZ-PLANE
1176MHz



YZ-PLANE
1176MHz

