

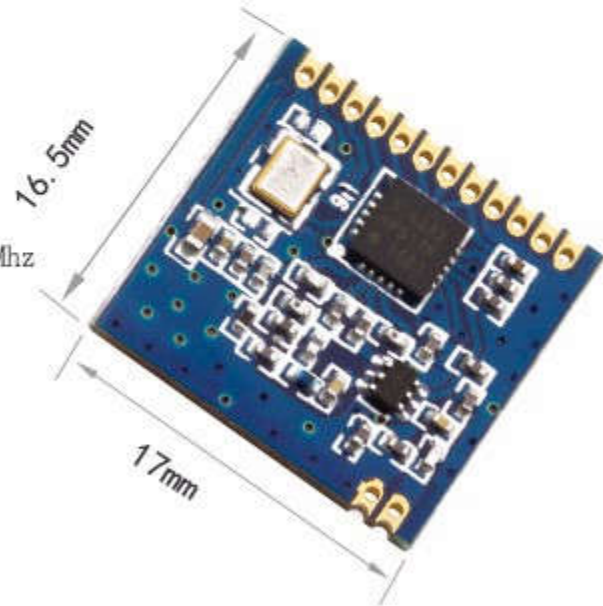
# LF4432 SPI Transceiver

SI4432 SPI

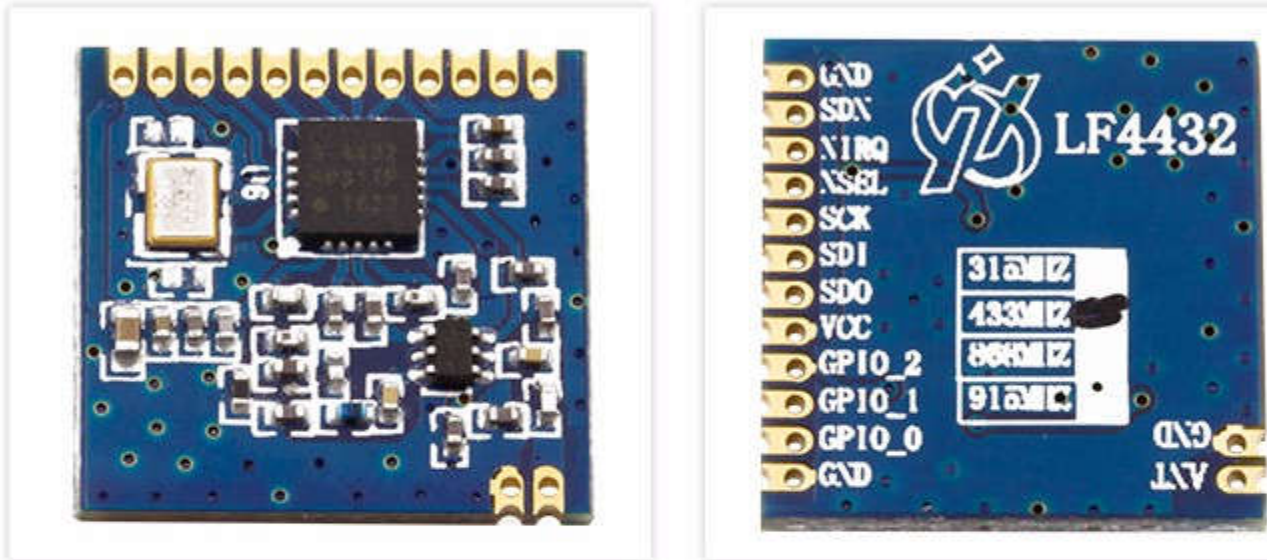
## Item Info

### General Info

Name	LF4432 Transceiver
Size	17*16.5mm
Brand	LCHSTAR
Frequency	410 ~ 490Mhz Center Frequency 433Mhz
Chipset	SI4432
Supply Voltage	1.8V-3.6V DC
Interface	SPI
Distance	1000m in open area
Data Rate	0.123 ~ 256kbps optional
Weight	2g
Transmit power:	100mw
Sensitivity:	-120dBm



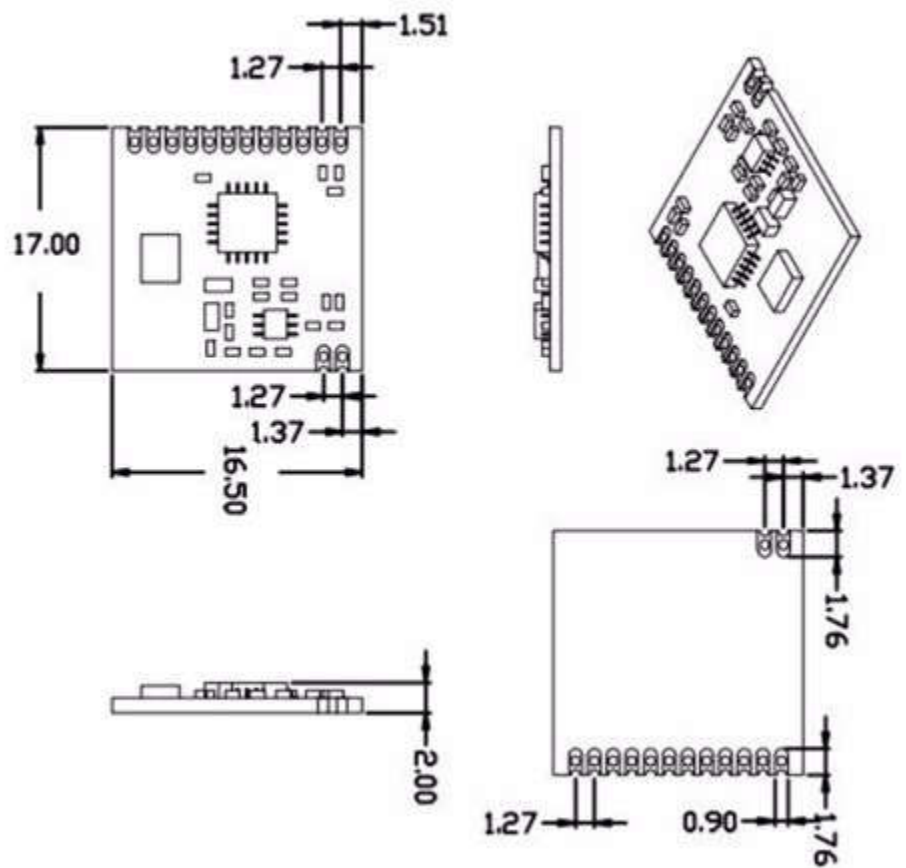
## Appearance



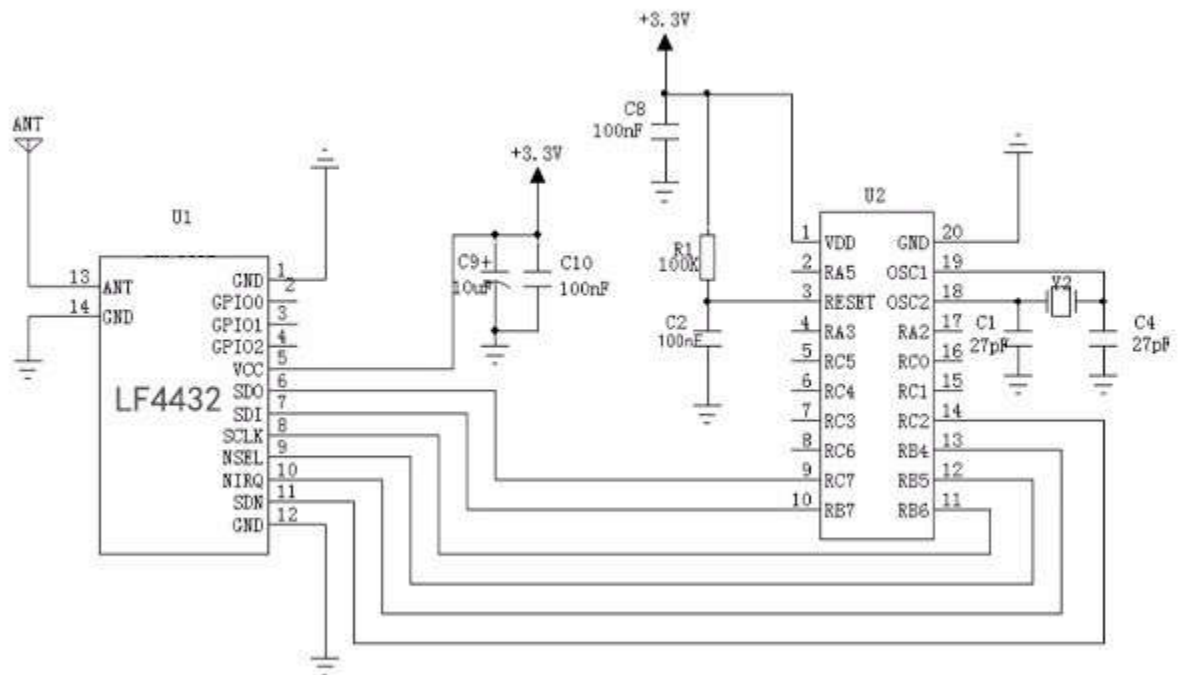
## Pin Description



Pin Number	Name	Description
1	GND	Power ground
2	GPIO_0	Transmit control
3	GPIO_1	Receive control
4	GPIO_2	Directly connect to IC
5	VCC	Supply Power 3.3V Positive
6	SDO	0-VDD V digital output,serial read of register internal control
7	SDI	Serial data input.0-VDD V digital input. Serial bus
8	SCLK	Serial clock input.0-VDD V digital input.
9	nSEL	Serial input enable/disable. 0-VDD V digital input. also indicated read/write
10	nIRQ	Cut ouput
11	SDN	Close input. 0- VDD V digital input. SDN=0 in all mode except Power-off. Data register will lost and chip will be cut off when SDN=1
12	GND	Power ground
13	ANT	Connect 50 ohm coaxial Antenna
14	GND	Power ground



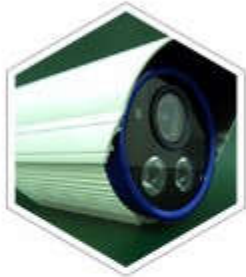
Circuit



## Parameters

<b>Params</b>	<b>Min</b>	<b>Typical</b>	<b>Max</b>	<b>Unit</b>	<b>Conditions</b>
Supply Voltage	1.8	3.3	3.6	V	
Operating Temperature	-20	60		C	
Receive Current		18.5		mA	
Transmit Current		100		mA	@20dBm
Sleep Current		<1		uA	
Frequency Rance	428	433	438	MHZ	@433MHZ
	863	868	873	MHZ	@868MHZ
Modulation Rate	0.123		256	Kbps	FSK
Transmit Power Range	1		20	dBm	
Receive Current		-118		dBm	@data=1.2kbps, Fdev=30kHz

Applications



[ Home Automation ]



[ Meter Reader ]



[ Data Collector ]



[ Wifi Menu ]



[ Building Automation ]



[ Electricity Surveillance ]



[ RC Controller ]



[ PLC ]

Referent Antenna



TT01



TT02



### FCC VERIFICATION OF CONFORMITY

Certificate No. : USG2015071401C-F

We have with confidence the following designated product.

Wireless module

MODEL NO./CSRXB, C1S, A01, A04, A05, C20X, C30X, H04A, H0V4F, H0V4D, C10X, H0V3E, H0V3M, 24YK.

(Product Identification)

Has been tested and found in compliance with the requirements of 47 CFR PART 15 regulation 5, ANR CE1.4 for the evaluation of the evaluation of Class B of electromagnetic compatibility. It is only valid in connection with the test report number: USG2015071401C-F.

This device complies with Part 15 of the FCC rules, operation is subject to the following two conditions:

- (1) This device may not cause harmful interference, and
- (2) This device must accept any interference received, including interference that may cause undesired operation.

(Identification of regulation/standards)

This declaration is the responsibility of the manufacturer/importer

Shenzhen City, Jing Cheng Xin Electronics Co., Ltd.

Room 1109, Yong Hai business building, Nangcheng 1st industrial zone, Gu

Shu road 266, Xi Xiang town, Baoan District, Shenzhen city, China

(Name / Address)

MANUFACTURER / IMPORTER

TEST LABORATORY



This is the results of test that was carried out by Shenzhen USG from the submitted test samples of the product is in conformity with the specifications of the respective standards.

The certificate holder has the right to be the FCC mark on the product complying with the required rules.

Name

Date: Jul. 14, 2015



ShenZhen USG Technology Co., Ltd.

Block A, Anle Industrial Zone, Hengcheng Road, Xixiang Town, Shenzhen, China  
Tel: 86-755-26458031 Fax: 86-755-61553362 www.usgtech.com



### Certificate

### Of Conformity

Certificate No. : USG2015071402

Applicant : Shenzhen City, Jing Cheng Xin Electronics Co., Ltd.  
Room 1109, Yong Hai business building, Nangcheng 1st industrial zone, Gu Shu road 266, Xi Xiang town, Baoan District, Shenzhen city, China

Manufacturer : Shenzhen City, Jing Cheng Xin Electronics Co., Ltd.  
Room 1109, Yong Hai business building, Nangcheng 1st industrial zone, Gu Shu road 266, Xi Xiang town, Baoan District, Shenzhen city, China

Product : Wireless module  
S/N : CSRXB, C1S, A01, A04, A05, C20X, C30X, H04A, H0V4F, H0V4D, C10X, H0V3E, H0V3M, 24YK.

Trademark : LCX

Test Standard : EPA3050:1996, EN112:2001  
EPA3052:1996, EPA306A  
EPA706A, EPA350C, EPA270C

The EUT described above has been consolidated by us and found in compliance with the essential RoHS Directive-2011/65/EC. It is only valid in connection with the test report number: USG2015071402.

### RoHS

Manager

Date: Jul. 14, 2015



ShenZhen USG Technology Co., Ltd.

Block A, Anle Industrial Zone, Hengcheng Road, Xixiang Town, Shenzhen, China  
Tel: 86-755-26458031 Fax: 86-755-61553362 www.usgtech.com

### FCC