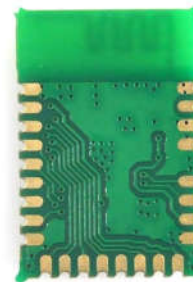


LB3431 low power anti interference wireless BLE Bluetooth 4.0 module

LB3431 is designed and technical supported by LCHSTAR, it consists of Broadcom BK3431BLE chip, features low cost, low power consumption, mostly apply in wearable devices, medical equipment RC toys and home automation products.

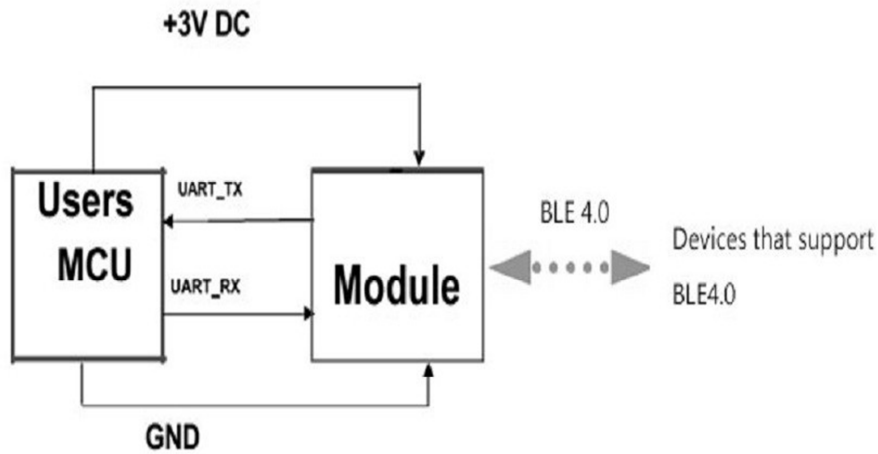


Reference Data	
CHIP	BK3431
VERSION	BLE4.0
SENSITIVITY	-89dBm@4dBm Transmit Power
INTERFACE	UART
MIN CONSUMPTION	4 μ A
SUPPLY VOLTAGE	1.8-3.6V Typical 3.3V



General Description:

LB3431-BLE is a bluetooth 4.0 digital transmitter with Broadcom BK3431 chip, it currently support only slave mode, the master connect with LB3431 can be either a cellphone or other devices that support BLE4.0, the chip of those devices connect to LB3431 through serial port, as shows below



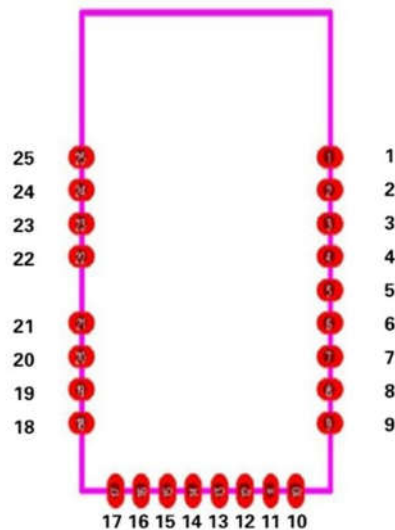
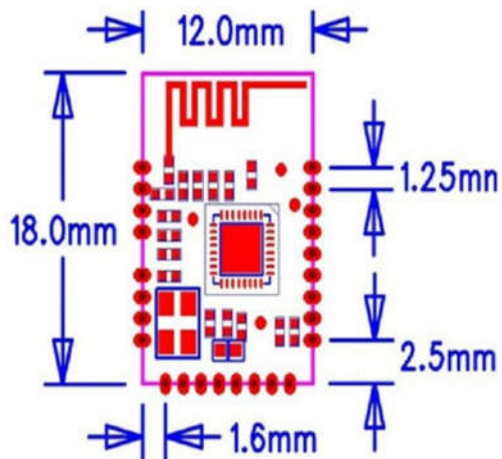
Applications:

Health Device
Bluetooth Toy

Wearable Device
Lighting Control

Home Automation
Bluetooth to Serial Port Device

Dimentions:



Pin Description:

Pin Number	Pin Name	Description
1	GND	Power Ground
2	RSTN	Reset, when low
3	P1.0	PWM0
4	P1.4	PWM4
5	P1.3	PWM3
6	P1.2	PWM2
7	PPROG	Flash Program mode select 0-normal,1-program mode
8	P1.1	PWM1
9	GND	Power Ground
10	P0.7	Universal Output
11	P0.6	Universal Output
12	P0.5	Universal Output
13	P0.4	Universal Output
14	XTAL	Float
15	P0.1	Serial Port RXD
16	P0.0	Serial Port RXD
17	VCC	3.3V,Power positive
18	GND	Ground
19	VCC	3.3V,Power positive
20	P3.2	Universal Input /AD
21	P3.3	Universal Input /AD
22	GND	Ground
23	GND	Ground
24	ANT	Antenna when needed
25	GND	Ground