

LB3254 bluetooth audio module

LB3254 Bluetooth Audio Module

I、 General Information:

LB3254 is designed and technical supported by LCHSTAR, it is a low cost, high performance module with Broadcom BK3254 chip, which enable it provide high quality audio and compatibility. Drivers free with 2 MIX2018 audio amplifier chip, makes it ready to use.

II、 Applications:

Short range audio transmission, connects to Note book, PAD, Cellphones:

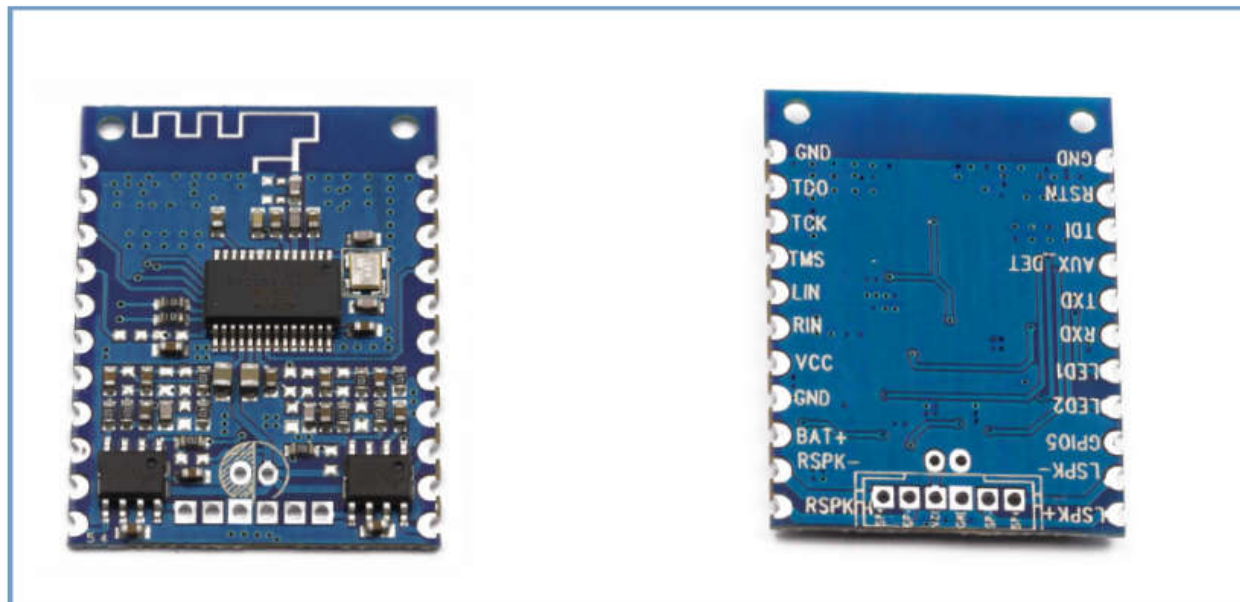
- Bluetooth Speakers
- Bluetooth Headset
- Bluetooth Earphone
- Bluetooth Audio

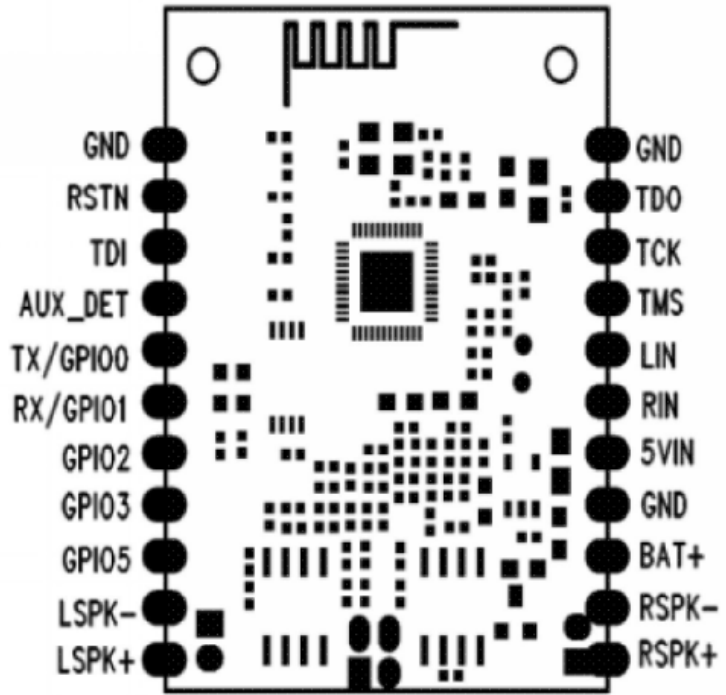
III. Features:

- Bluetooth Profiles
- Bluetooth V2.1+EDR specification support
- A2DPv1.2
- AVRCPv1.0
- HFPv1.5

Version	Bluetooth V2.1+EDR
Supply Voltage	DC2.8-4.2V
Support Protocol	HFPV1.5, A2DPV1.2, GAVDP1.2, IOP
Sleep Current	<500uA
Working Temperature	-40° C-85° C
Distance	>10 米
Transmit Power	4dBm
Receive Sensitivity	-80dBm<0.1%BER
Frequency Range	2.4GHz-2.480GHz
Interface	I2C, SPI and UART interface
Audio Performance	SBC decoding
Signal-Noise Ratio	≥75dB

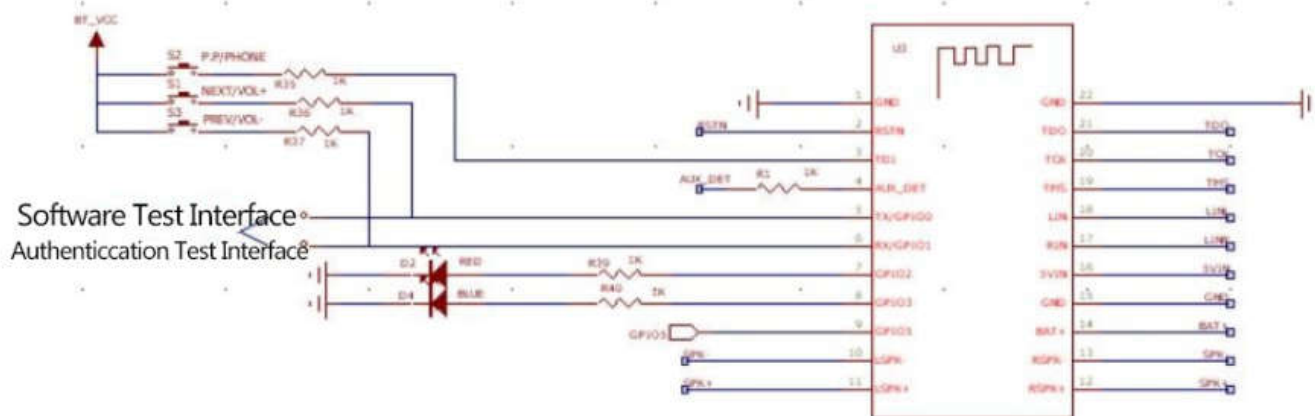
IV、 Pin Assignment:





V Notice:

While applies LB3254, keep in mind that amplifier ,lines will affaect function of the module, please try to avoid work with large power circuit, such whole SNR will be improved



VI: Attention

- A. Distance may differ due to the working environment, such as trees, metal around.
- B. Antenna of LB3256 is PCB Antenna, To weaken the negative affection cause by metals, no plate or lines are allowed under the Antenna, better hollow out
- C. Antenna of LB3256 is PCB Antenna, To weaken the negative affection cause by metals, no plate or lines are allowed under the Antenna, better hollow out