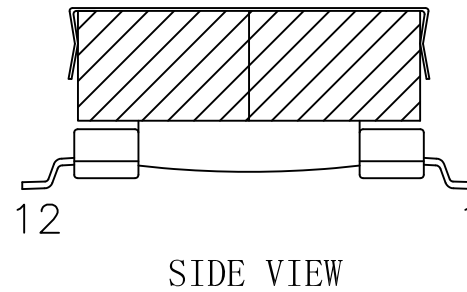
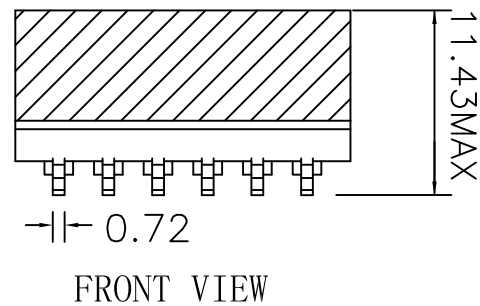
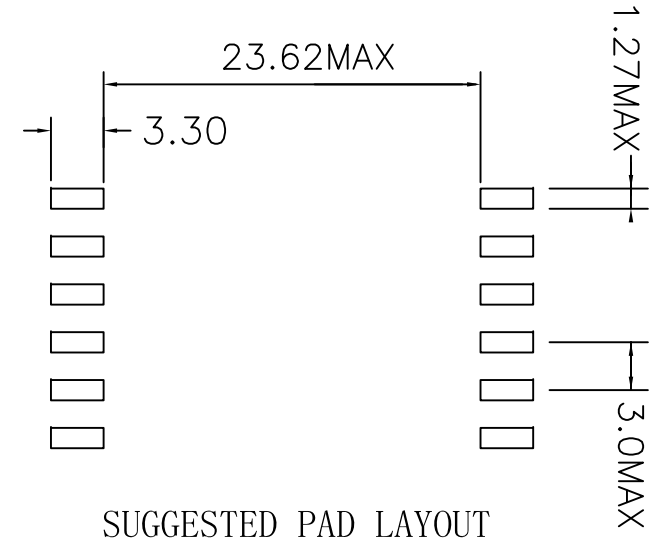
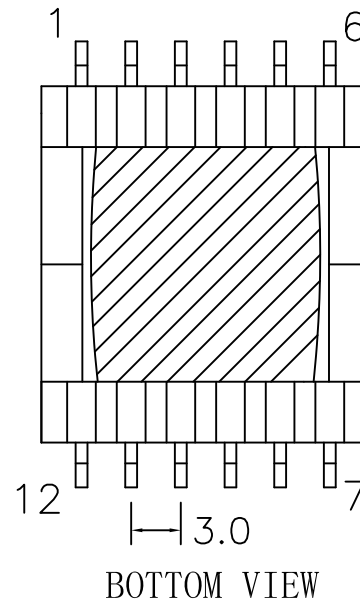
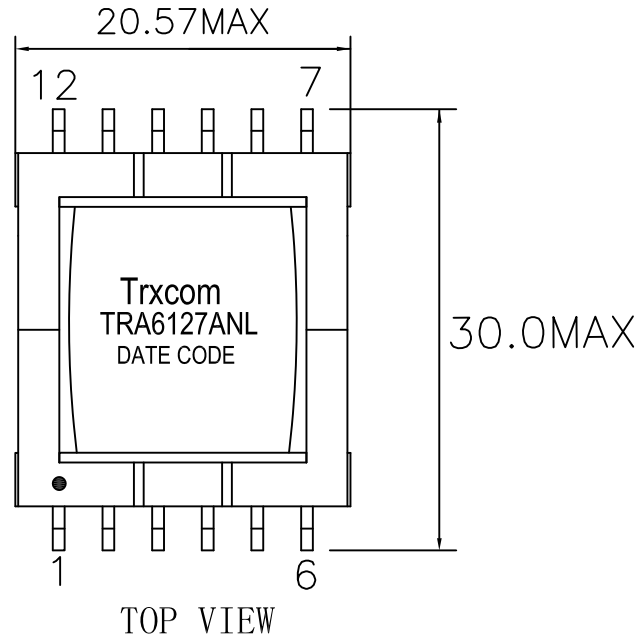


# Mechanical :

REV.	ECN NO.	DESCRIPTION	DATE	APPD
A	REL		2015/01/19	



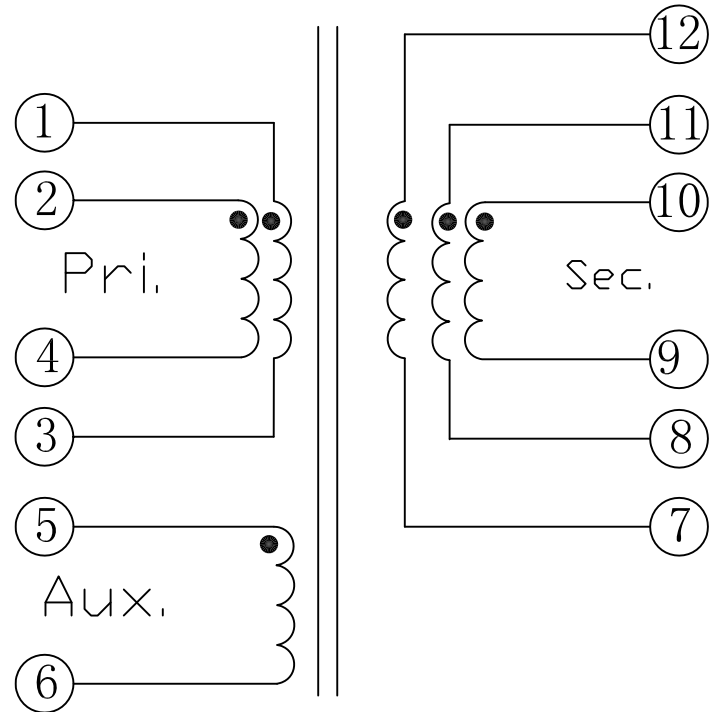
## NOTES:

1. Flyback Transformer For 30 Watt PoE Application.
2. Designed to meet 30W PoE IEEE 802.3at-2009 standard.
3. Operates at 250 KHz with 36-72 Volts input.
4. RoHS Compliant
5. RoHS "NL" peak solder rating 260°C.
6. UL Certification: File Number E321120.

X:X	±0.30	APPD:	Trxcom	
X:XX	±0.25	CHKD:	ShenZhen Trxcom Electronics Co.,ltd	
X:XXX	±0.05	DR: C.H.Y	TITLE: Flyback Transformer For 30 Watt PoE Application	
ANGLES	±1°	UNIT: mm	PART NO.: TRA6127ANL	
	SCALE: 2/1	SHEET: 1/2	REV: A	DWG NO.: TRC15011901

# Schematic:

REV.	ECN NO.	DESCRIPTION	DATE	APPD
A	REL		2015/01/19	



Electrical specifications @25°C

1. Turns ratio:

Pri : Sec = 1 : 0.14

Pri : Aux = 1 : 0.33

2. Pri Inductance: 42.0uH ±10%

@250KHz, 0.7Vrms, 0Adc

3. Inductance at Ipk: 37.8uH Min

4. Leakage Inductance: 1.60uH Max.

5. DC. Resistance:

Pri = 0.069Ω Max;

Sec = 0.0050Ω Max;

Aux = 0.225Ω Max.

6. Ipk: 2.6A

7. Output: 5V, 6A

8. Isolation:

1500Vrms, Pri to Sec, 500Vrms Pri to Sec.

9. Operating temperature range: -40°C to +85°C.



X:X	±0.30	APPD:	Trxcom	
X:XX	±0.25	CHKD:	ShenZhen Trxcom Electronics Co., ltd	
X:XXX	±0.05	DR: C. H. Y	TITLE: Flyback Transformer For 30 Watt PoE Application	
ANGLES	±1°	UNIT: mm	PART NO.: TRA6127ANL	
	SCALE: 2/1	SHEET: 2/2	REV: A	DWG NO.: TRC15011901