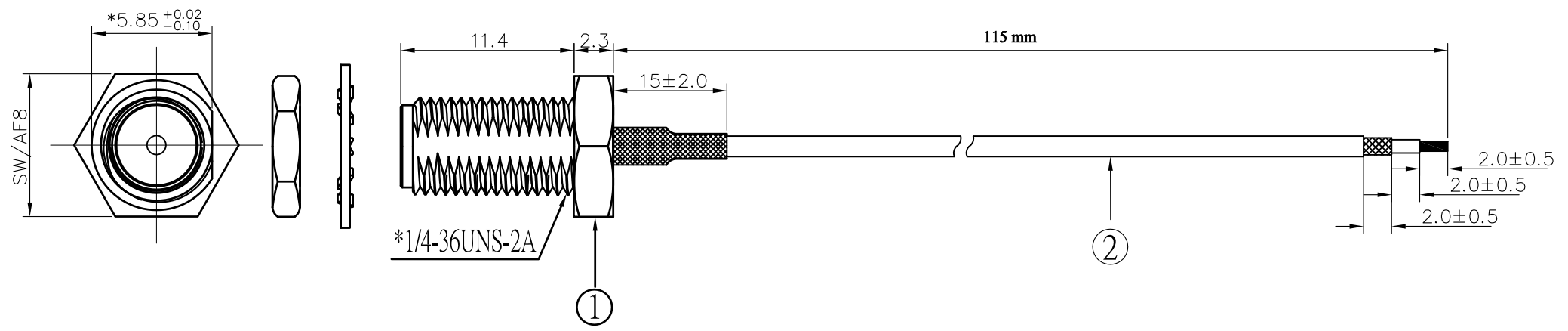


SIGN	DATE	DESCRIPTION	APPROVER
△			
△			
△			

"*"Stress



3	Shrink Tub	HT-36		1
2	Cable	DIAMETER 1.2mm MAX	LENGTH 150mm	1
1	SMA	Cu Au plated	180° Female	1
NO	Description	Material	Specification	Q'ty

TITLE:					
PART NO.:			DWG NAME:		
APPROVED BY	CHECKED BY	DESIGNED BY		Tolerance	
Grant	Tony	Lvybao		UNITS: mm	X.X ±0.10
2011.02.22	2011.02.22	2011.02.22		SCALE:	X.XX ±0.05
			REVISION: A	X° ±1°	