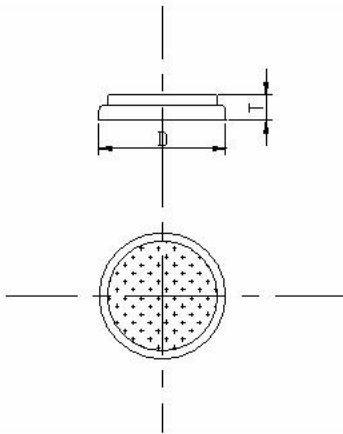


CR2032

Items		Norminal	Remark
Capacity	Typ.	210mAh	0.2CmA(40mA) discharge
	Min.	200mAh	
Voltage		3.0V	0.2CmA (440mA) average voltage
Internal Resistance		≤7.5 KΩ	
Power Off Voltage		2.0V	
		60mA	
Maximum Disharge Current		3mA	
Approximate Weight		about2.8g	
Operating Temperature and Humidity	Discharge	-20~+60℃	
Storage Temperature	<1 month	-20~+45℃	Recommended storage temperature during transportation is at 23℃
	>6 months	-20~+35℃	



Demension	Unit
T (MAX)	3.5mm
D (MAX)	20.5mm

T: Thickness
D: Diameter

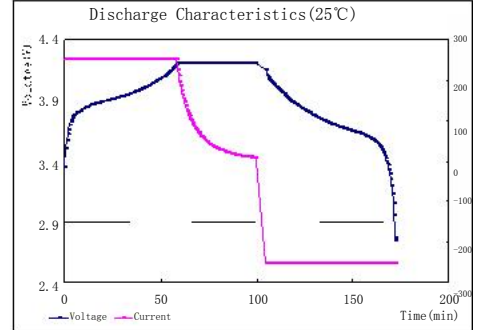


Figure 1 Discharge Characteristic

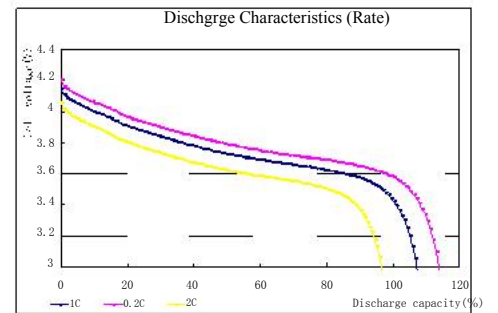


Figure 2 Discharge Characteristic

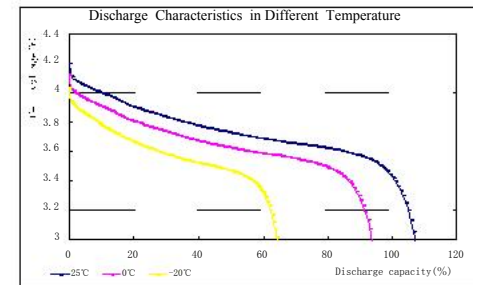


Figure 3 Discharge Characteristic in Different T

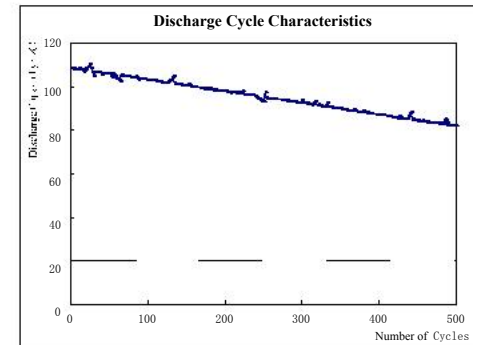


Figure 4 Discharge Cycle Characteristic