

1、 Scope

The specification is applicable to Shenzhen Naccon Power Technology Co.,Ltd.

1.1 Designations

Super Energy Group	IEC	Other
6F22	6F22	1604

1.2 Reference Document

IEC 60086-1: 2000	---Primary Batteries – General
IEC 60086-2: 2001	---Primary Batteries - Specification Sheets
GB/T8897.1—2003	---Primary Batteries – General
GB/T8897.2—2005	---Primary Batteries - Specification Sheets

2、 Chemical System

Zinc-Manganese Dioxide (-) Zn | NH₄Cl+ZnCl₂ | MnO₂(+)

3、 Nominal Voltage: 9 volt

4、 Average Weight: 36 g

5、 Nominal Capacity

310mAh (620Ωload resistance, discharge 2hours per day at 20±2°C, end 5.4V)

6、 Electrical Characteristics

(Conditions : 620Ω load resistance, measuring time 0.3seconds, 20±2°C, tested within 30 days after delivery)

	Off-load voltage (V)	On-load voltage (V)	Acceptance Standard
New battery	9.6	9.0	MIL-STD105E, Class II, Double Sampling, AQL=0.4
After 12 mon. room temp.	9.4	8.8	

7、 Service Output

(Conditions : Test temp. 20±2°C, tested within 30 days after delivery。)

	Discharge Condition			Average Minimum Discharge Time	
	Discharge Load	Daily Discharge time	End Point Voltage(V)	New battery	After 12mth.at room temp.
Reference	620Ω	24h	5.4	19h	17h
	180Ω	24h	4.8	230min	210min

Acceptance Standard:

- (1) 9 pieces of battery will be tested for each discharging standard .
- (2) The result of the average discharging time from each discharging standard shall be equal to or more than the average minimum time requirement.

8、 *Electrolyte Leakage Proof Characteristics*

Item	Condition	Periods	Characteristics	Acceptance Standard
Over-discharge Characteristics	20k Ω continuous discharge at temp. 20 \pm 2 $^{\circ}$ C, Relative Humidity : 65 \pm 20%RH	End Point Voltage 3.6V	There shall be no leakage or explosion recognized by human eye	N=40, Ac=1, Re=2

9、 *Marking*

The following markings will be printed, stamped or impressed on the body of the battery:

- (1) Designation: 6F22;
- (2) Manufacturer's name or abbreviation: Naccon
- (3) Nominal voltage: 9V ;
- (4) Polarity: "+" or "-";

10、 *Caution for Use*

- (1) Since the battery is not manufactured for recharging, there are risks of electrolyte leakage or causing damage to the device if the battery is charged.
- (2) The battery shall be installed with its "+" and "-" in correct position.;
- (3) Short circuiting, heating, throwing into fire and disassembling the battery shall not be done.。

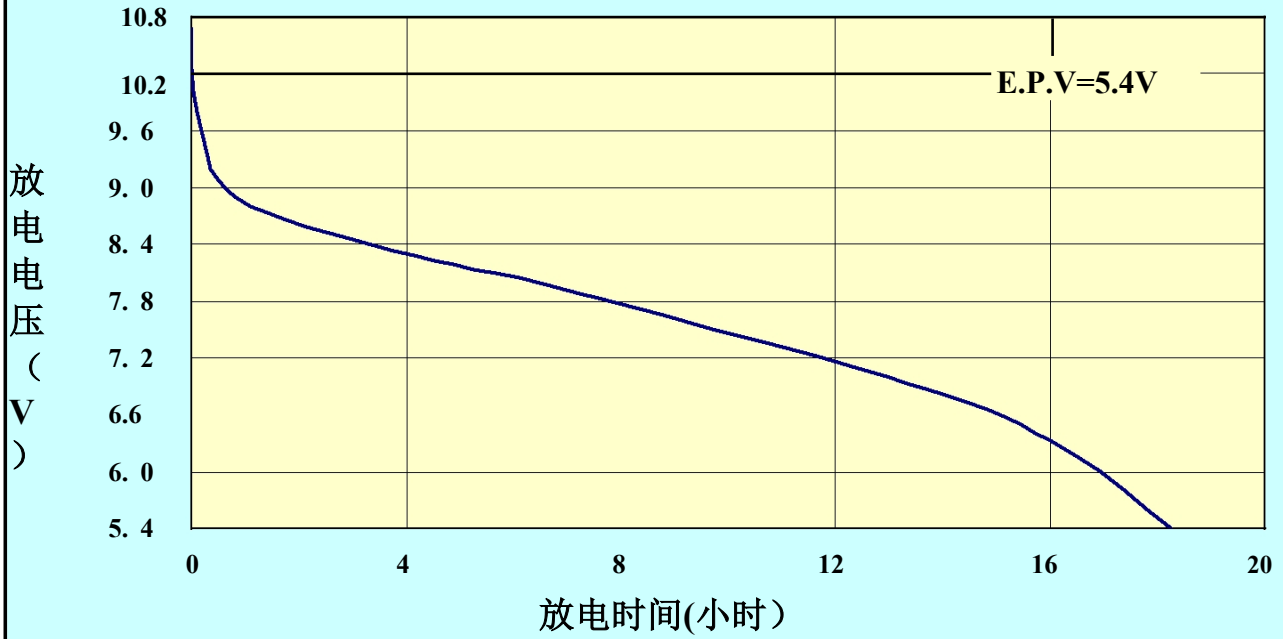
10、 *Discharge Curves:* (Condition: Test temperature 20 \pm 2 $^{\circ}$ C)

Discharge Method : 620 Ω /180 Ω 24hrs/day (Figure 1、 2)

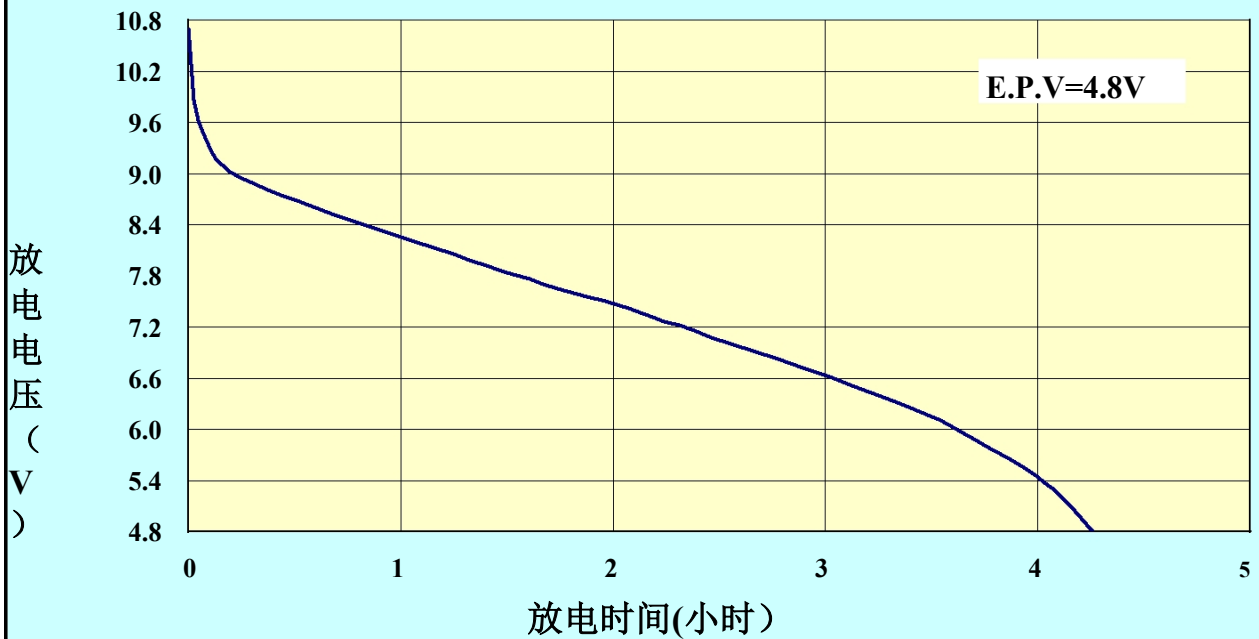
12、 *Battery Dimension and construction*

Refer Drawing: DWG-A-6F22

图表1: 6F22电池负载620Ω放电曲线
24小时/天, 温度:20±2°C



图表2: 6F22电池负载180Ω放电曲线
24小时/天, 温度:20±2°C



1

2

3

4

5

6

Unit: mm

A

A

B

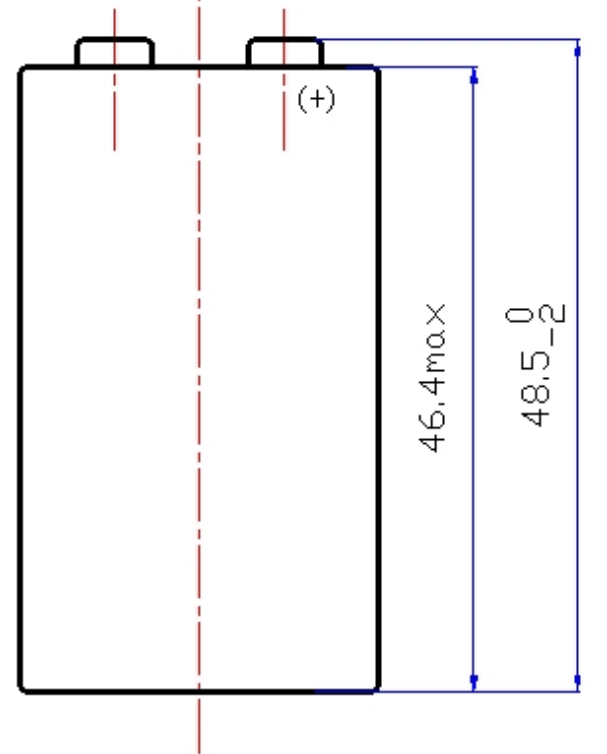
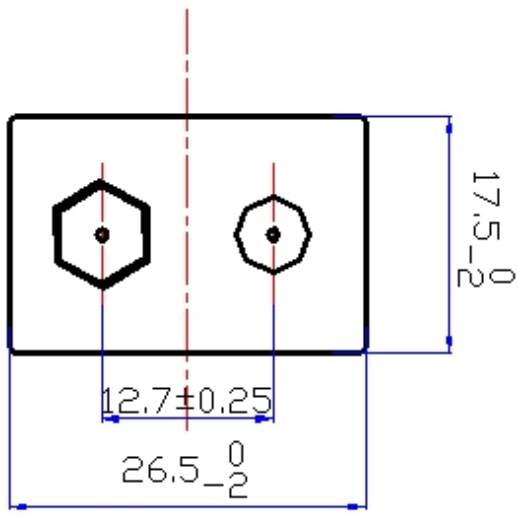
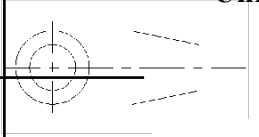
B

C

C

D

D



Refer Drawing : DWG-A-6F22

SIGNATURE		Date						
DRAWN			Model	6F22 Battery				
APPD.			No.	DWG—A—6F22	Ver.	A	Scale	NTS

1

2

3

4

5

6

