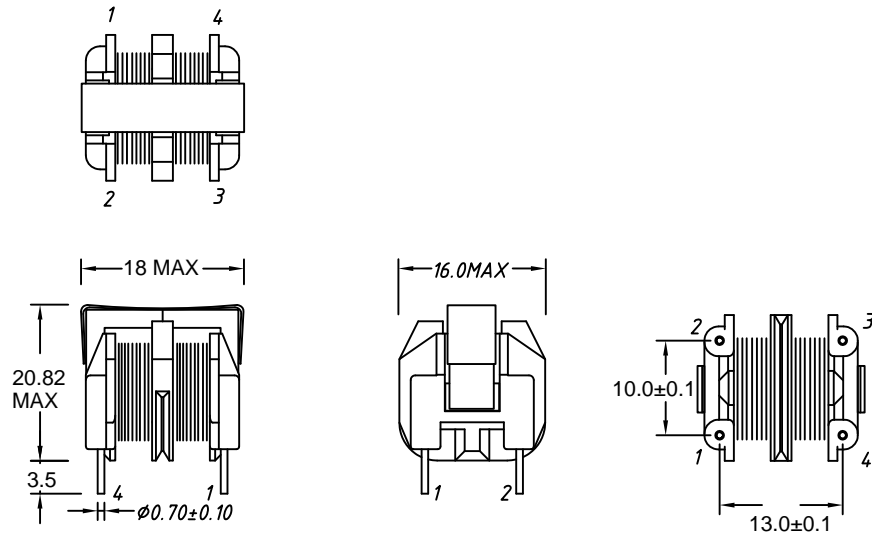
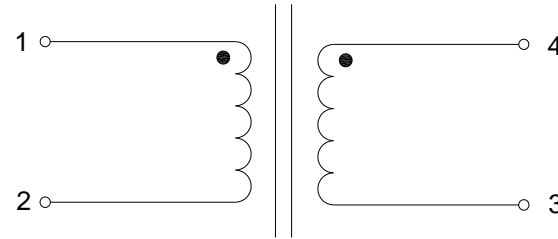


**1. MECHANICAL DIMENSION:(UNIT:mm)**



**2. SCHEMATIC:**



**3. ELECTRIC CHARACTERISTICS:**

1. TURN RATIO( $\pm 1\%$ )(1-2:4-3)= 1:1
2. INDUCTANCE(10KHz/0.1VAC)(1-2): 30 mH MIN  
INDUCTANCE(10KHz/0.1VAC)(4-3): 30 mH MIN
3. DCR(1-2): 3.0 Ohm MAX
4. DCR(4-3): 3.0 Ohm MAX
5. HI-POT(Coil-Coil-Core): 2000VAC/1mA/60Sec
6. Operating Temperature: -20 C to 85 C



**SHAREWAY TECHNOLOGY CO., LTD**

NAME:	Common Mode Choke	DATE:	2017-10-06
SHAREWAY P/N:	STU1005NL	REV: A0	PAGE 1/1
DWG BY: Wayne	CHK BY: Wayne	Appro.BY: C.W.X	