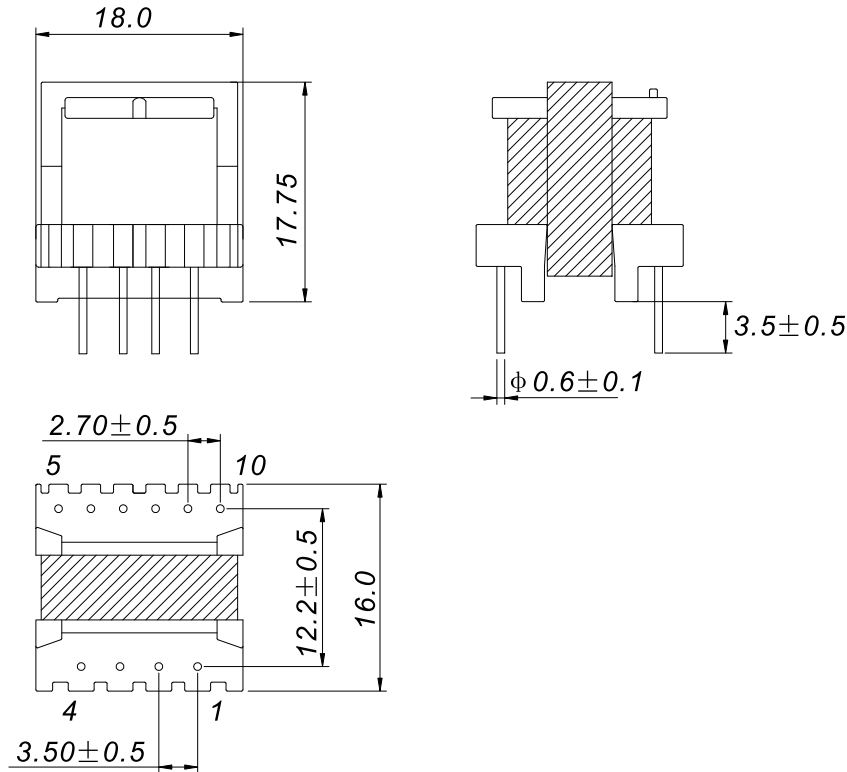


REV.	ECN No.	DESCRIPTION	DATE	APPD
A/1	REL		2015-11-16	

Mechanical (mm) :



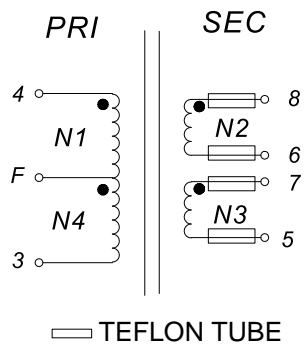
**WINDING:**

WDG	TERMINAL	WIRE SIZE	TURNS	TAPE	REMARKS
N1	4-F	φ 0.18MM*1P	60TS	2TS	
N2	8-6	T.I.W φ 0.35MM*1P	12TS	1TS	
N3	7-5	T.I.W φ 0.35MM*1P	12TS	2TS	
N4	F-3	φ 0.18MM*1P	60TS	3TS	

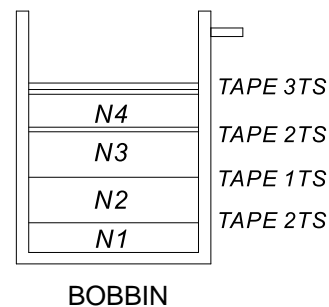
**ELECTRICAL CHARACTER:**

NO.	ITEM	MEASURED POINT	TECHNICAL DATA	TEST CONDITION & INSTRUMENT
1	Inductance	L 4-3	3.5mH ± 10%	1KHz, 0.3V
2	LK	L 4-3	100uH MAX	1KHz, 0.3V
3	DCR	R 4-3	3.60 OHMS MAX	
		R 8-6	0.15 OHMS MAX	
		R 7-5	0.15 OHMS MAX	
4	HI-POT	PRI TO SEC	4.0KV 3mA, 1s	epe 7112
		COIL-CORE	2.5KV 3mA, 1s	

Schematics :



Winding constructions :



X:X ± 0.25	UNIT:mm	<b>SHAREWAY TECHNOLOGY CO., LTD</b>
X:XX ± 0.20	DR:WAYNE	
X:XXX ± 0.10	DWG NO.:	<b>TITLE:</b> Transformers
ANGLES ± 1°	SW/151116	Part Number: ST1660NL