

RSR1 SERIES

FEATURES

- Zero voltage turn-on, zero current turn-off (minimize EMI/FRI)
- Input LED indicator
- Output snubber circuit protection
- TTL and CMOS compatible
- High dv/dt and high blocking voltage



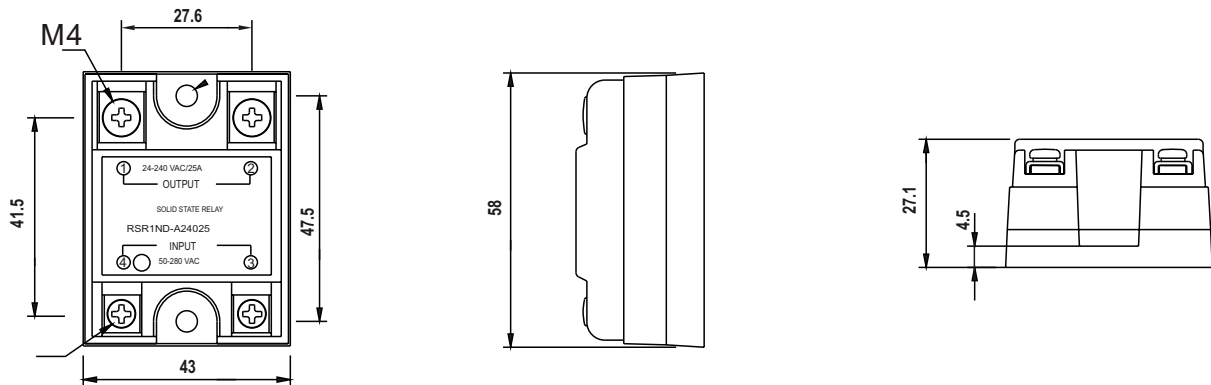
UL FILE NO.: E126167
CUL FILE NO.: E126167

ORDERING INFORMATION

RSR 1 N D — A 240 25
 1 2 3 3-1 4 5 6 7

- | | |
|--|--|
| <ol style="list-style-type: none"> 1. Series Name 2. Type Name 3. N : With LED Indicate
Nil : Without LED Indicate 3-1D : DC In Put Control
A : AC In Put Control 4. Out Put Nominal Voltage Type :
A : AC ; D : DC | <ol style="list-style-type: none"> 5. Out Put Nominal Voltage :
120 : 120V ; 240 : 240V ; 480 : 480V 6. Load Current :
10 : 10 Amps.
25 : 25 Amps.
40 : 40 Amps. 7. Nil : Zero-on, Normal Open
R : Random-on, Normal Open |
|--|--|

DIMENSIONS



INPUT CIRCUIT

Control Voltage Range	DC 4 - 32 V		AC 50-280 V
Control Current	15mA Max.	120mA Max.	15mA Max.
Min. Turn-off Voltage	1.5 VDC		40 VAC
Input Impedance	2.0K Ω Min.	270 Ω Min.	106K Ω Min.

OUTPUT CIRCUIT

Max. Load Current (rms)	10A	25A	40A	15A	25A	40A	10A	25A	40A
Nominal Load Voltage (VAC)	120		240		440		120		240
Load Voltage Range (VAC)	24-140		24-280		48 - 480		24-140		24-280
Non-Repetitive Max. Peak Voltage (VAC)	400		600		800		400		600
Non-Repetitive Max. Peak Current	125A	260A	315A	200A	250A	400A	125A	260A	315A
Max. Off-state Leakage Current	1mA	7mA		2mA	1mA		1mA		7mA
Max. Off-state Voltage Drop(V)	1.6		1.8	1.6		1.8	1.6		1.8
Min. Load Current(mA)	50		100	70		120	50		100
Max. Off-state Slew Rate(dv/dt)	250V/ μ s			700V/ μ s		900V/ μ s	250V/ μ s		
Operating Frequency Range	47 Hz ~ 63 Hz								

GENERAL CHARACTERISTICS

Zero-on	Zero-on	
Max. Turn-on Time (60Hz)	8.3 ms	10ms
Max. Turn-off Time (60Hz)	8.3 ms	20ms
Insulation Resistance	DC 500V 1,000 M Ω Min.(Between Input & Output, Input/Output & Case)	
Dielectric Strength	3.5K VAC(Between Input & Output)	
Capacitance(Input to Output)	15pF Max.(Between Input & Output)	
Operation Temperature	-20 $^{\circ}$ C~+ 80 $^{\circ}$ C	-20 $^{\circ}$ C~+ 75 $^{\circ}$ C
Storage Temperature	-40 $^{\circ}$ C~+ 100 $^{\circ}$ C	
Heatsink(Max. Load current)	3.5 $^{\circ}$ C/W	2.1 $^{\circ}$ C/W

FEATURES

- Zero voltage turn-on, zero current turn-off (minimize EMI/FRI)
- Input LED indicator
- Built-in snubber network
- Low input power consumption, TTL and CMOS compatible
- High dv/dt and high blocking voltage

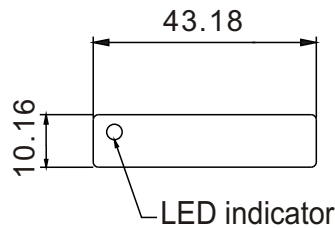
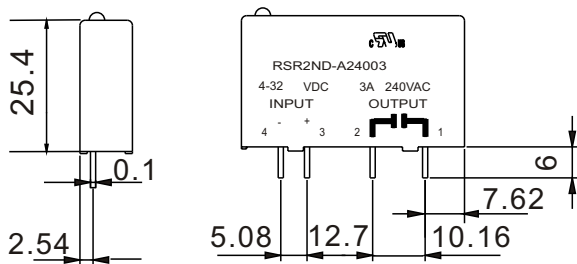


ORDERING INFORMATION

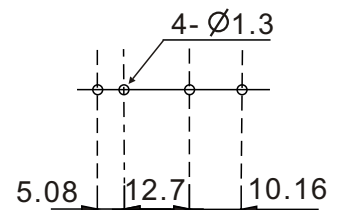
RSR 2 N D — A 240 03
 1 2 3 3-1 4 5 6 7

- | | |
|--|--|
| <ol style="list-style-type: none"> 1. Series Name 2. Type Name 3. N : With LED Indicate
Nil : Without LED Indicate 3-1D : DC In Put Control 4. Out Put Nominal Voltage Type :
A : AC ; D : DC | <ol style="list-style-type: none"> 5. Out Put Nominal Voltage :
120 : 120V ; 240 : 240V 6. Load Current :
03 : 3 Amps. 7. Nil : Zero-on, Normal Open
R : Random-on, Normal Open |
|--|--|

DIMENSIONS



P.C.B LAYOUT
(BOTTOM VIEW)



INPUT CIRCUIT

Control Voltage Range	DC 4 - 32 V
Control Current	15mA Max.
Min. Turn-off Voltage	1.5 VDC
Input Impedance	2.0K Ω Min.

OUTPUT CIRCUIT

Load Type	AC		DC
Max. Load Current (rms)	3A		
Nominal Load Voltage (VAC)	120	240	60
Load Voltage Range (VAC)	24-140	24-280	3-60
Non-Repetitive Max. Peak Voltage (VAC)	400	600	60
Non-Repetitive Max. Peak Current	80A		5A
Max. Off-state Leakage Current	5mA		1.0mA
Max. Off-state Voltage Drop(V)	1.5V		
Min. Load Current(mA)	50mA		10mA
Max. Off-state Slew Rate(dv/dt)	100V/ μ s		—
Operating Frequency Range	47 Hz ~ 63 Hz		—

GENERAL CHARACTERISTICS

Zero-on	Zero-on	
Max. Turn-on Time (60Hz)	8.3 ms	50 μ s
Max. Turn-off Time (60Hz)	8.3 ms	100 μ s
Insulation Resistance	DC 500V 1,00 M Ω Min.(Between Input & Output, Input/Output & Case)	
Dielectric Strength	2.5K VAC(Between Input & Output)	
Capacitance(Input to Output)	10pF Max.(Between Input & Output)	
Operation Temperature	-20 $^{\circ}$ C ~+ 85 $^{\circ}$ C	-20 $^{\circ}$ C ~+ 80 $^{\circ}$ C
Storage Temperature	-40 $^{\circ}$ C ~+ 100 $^{\circ}$ C	