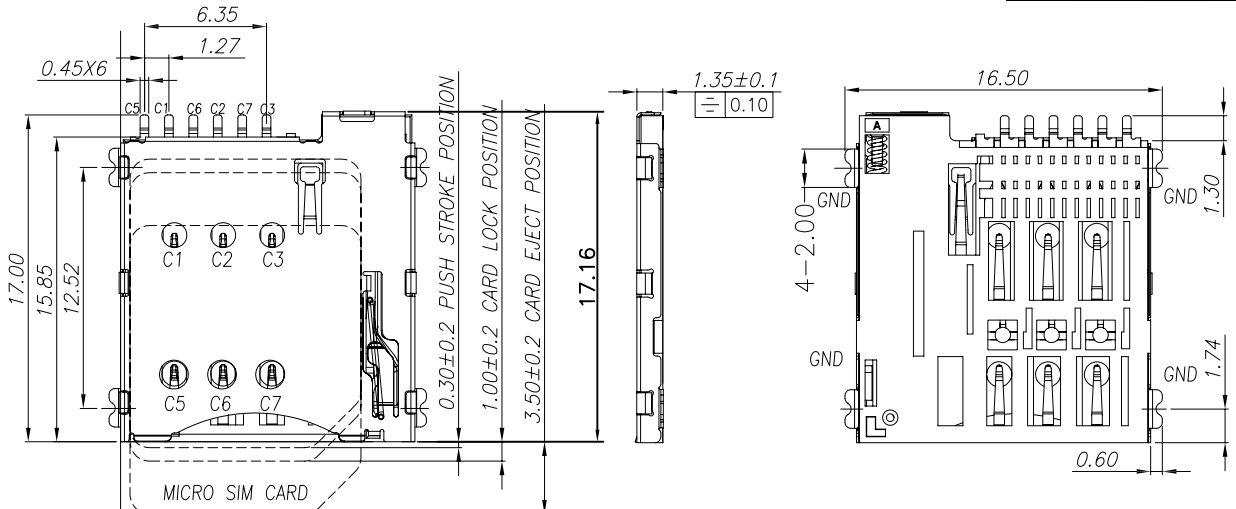
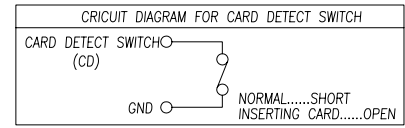
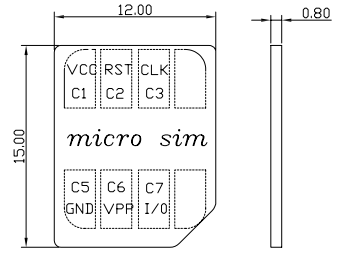
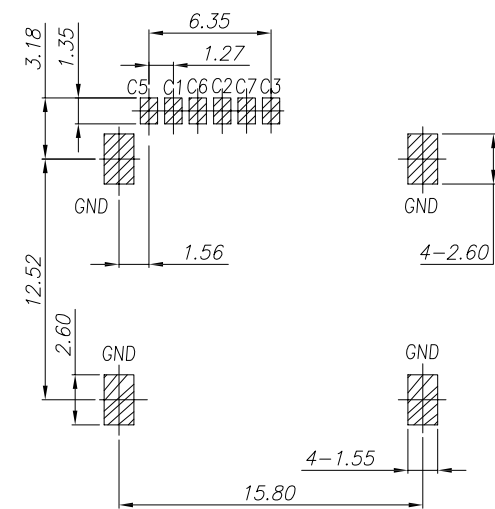
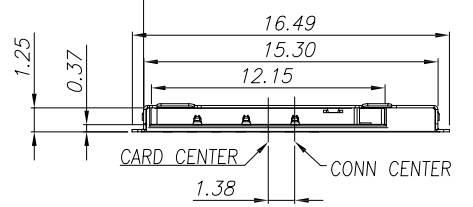


REV.	DATE	ECN NO.	MODIFICATION	APPROVER
A	2009/11/09	/	NEW	Vicky



NOTES:
MATERIAL:
Housing: High Temperature thermoplastic, UL94V-0
Terminal: Copper Alloy
Shell: Stainless
PLATING
Contact: Plated 30u" Ni Overall Contact Au 1U
Shell: plated 30u" Ni Overall
Plated 1u" Au Selective Contact Area
SPECIALITY:
Rated Current: 0.5A AC/DC MAX
Rated Voltage: 50V AC/DC
Ambient Temperature Range: -20°C~+60°C
storage Temperature Range: -40°C~+70°C
Ambient Humidity Range :95% R.H. Max.
Contact Resistance: 100mΩ Max
Insulation Resistance: 1000MΩ/250V DC
Dielectric Withstanding Voltage: 500V AC
Durability: 5000 cycles
Temperature 260±5°C,



PIN#	Name
C1	VCC
C2	RST
C3	CLK
C5	GND
C6	VPP
C7	I/O

■ CIRCUIT TRACE KEEP OUT AREA
■ SMT SOLDER AREA
THERE SHOULD NOT BE ANY CIRCUITRIES IN THE LAYOUT SPACE OF THE PRODUCTS.
RECOMMENDED PCB LAYOUT
GENERAL TOLERANCE ±0.05

GENERAL TOLERANCE			UNITS	mm	NAME:	MICRO SIM	深圳市爱特姆科技有限公司 SHENZHEN ATOM TECHNOLOGY CO., LTD.	
SELECT	✓		MAT'L		PART NO:	SI32C-01203		TITLE: MICRO SIM CARD 6P PUSH PUSH SMT H=1.35mm 圆孔
ON.	TOL.	1 2 3	FINISH		APPD:	Vicky	DWG NO.	ATOM-A02935
X.XXX	±0.15	±0.05 ±0.15	Q'TY		CHKD:	Doris	SCALE SHEET REV 1:1 1/1 A	
X.XX	±0.25	±0.13 ±0.25			DR:	Jillian		
X.X	±0.30	±0.25 ±0.50						
X.		±0.38 ±1.00						
ANGLE	±5°							