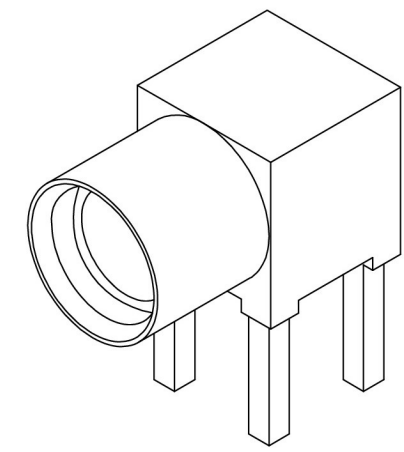
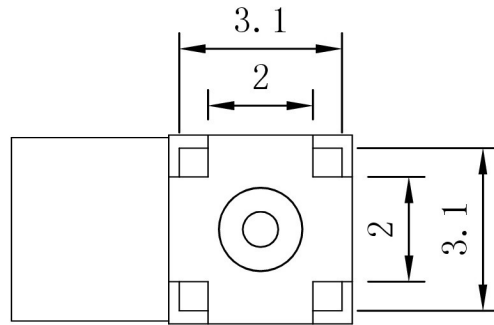
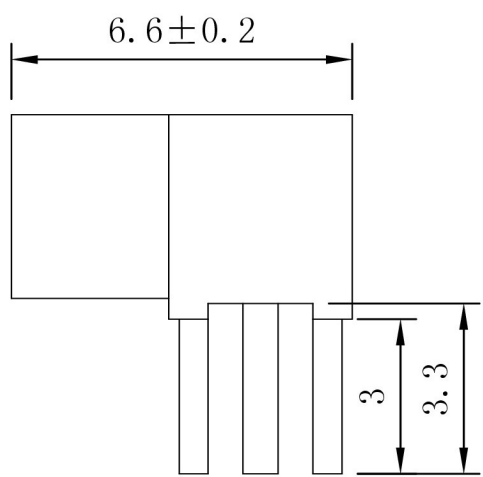
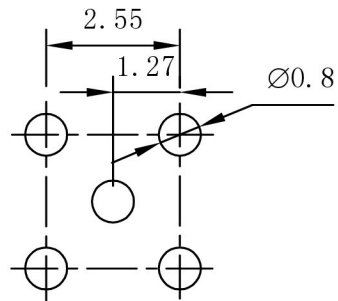
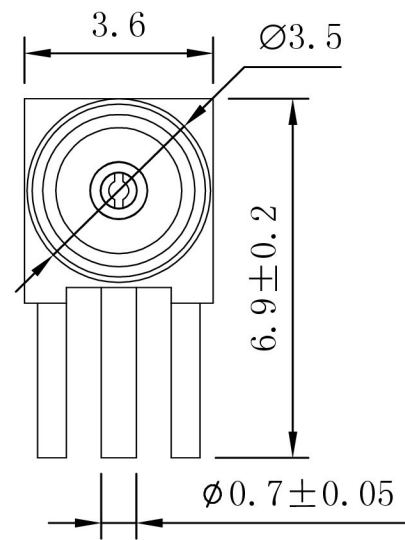


REVISE					
NO.	EXPLAIN	DRAWN	ENG APPR.	MFG APPR.	DATE



INSULATOR	TEFLON	NONE
CONTACT	PHOSPHOR COPPER	GOLD
BODY	BRASS	GOLD
DESCRIPTION	MATERIAL	FINISH

**SPECIFICATIONS:**

Electrical:  
 Nominal Impedance: 50 ohms  
 Frequency range: 0-6 GHz  
 Contact Resistance: 5 Milliohms max (Center Contact)  
                           2.5 Milliohms max (Outer Contact)  
 Insulator Resistance: 1000 Megohms min.  
 Environmental: Lead free, RoHS compliant.

Unless otherwise expressly stated:  
 Dimensions in mm (mm)  
 Tolerance:  
 Linear: ±0.1  
 Angle:



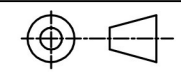
SPECS: PART NO.: 10-5I-1-0202

JC ANTENNA

**MMCX RF CONNECTOR**

	NAME	DATE
DRAWN		
CHECKED		
ENG APPR.		
MFG APPR.		
Q.A.		

THE THIRD PERSPECTIVE



DWG. NO. LJQ184

ERV. A