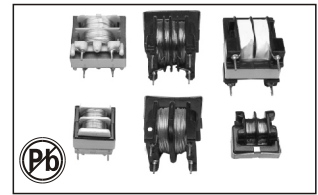


THROUGH-HOLE COMMON MODE CHOKES FALF SERIES



FEATURES:

- 0.3A to 10A ratings, low temperature rise
- 0.7mH to 100mH dual chokes
- Excellent Mechanical Strength
- 100KHz to 3MHz common mode resonance
- High Reliability and variant PCB-mount housing
- Low resistance and temperature rise

OPTIONS:

- Bulk packaging is standard
- Custom design available

COMMON APPLICATIONS:

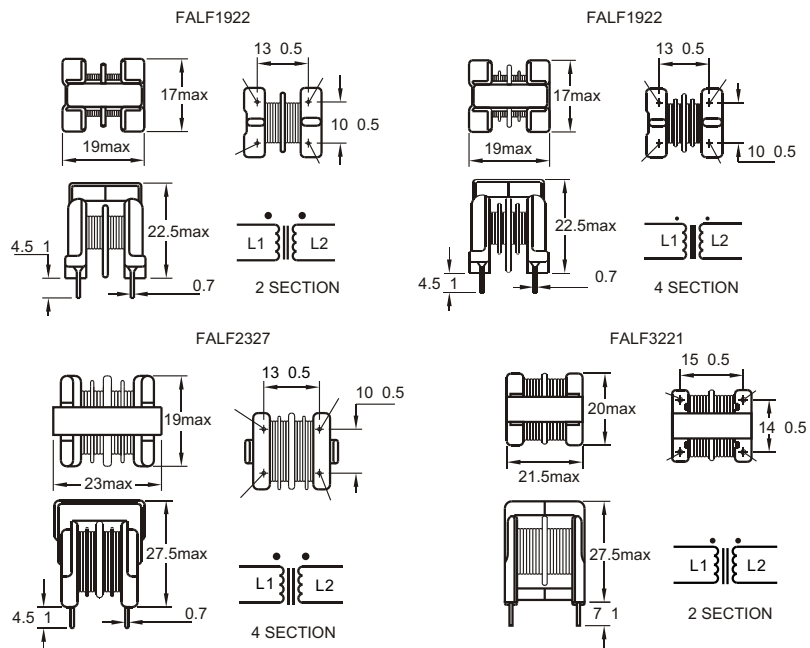
- DC/DC, AC/DC line noise suppression
- Communication System
- Automotive Systems
- LCD/PDPTelevisions
- Computer Peripheral Equipment
- It accord with the standards of FCC VCCI CISPR FTZ, etc, eliminating of electromagnetic noise of power and signal circuit.

ELECTRICAL CHARACTERISTICS

Part Number	Inductance L mH	Inductance Tolerance (uH)Max	DCR Max	IDC Max A	Part Number	Inductance L mH	Inductance Tolerance (uH)Max	DCR Max	IDC Max A
FALF2327-453Y	45.0	200	2.5	0.5	FALF1922-601Y	0.6	50	0.15	1.5
FALF2327-323Y	32.0	20	2.0	0.5	FALF1922-601Y	0.6	50	0.12	2.0
FALF2327-253Y	25.0	160	1.2	0.5	FALF1922-103Y	10.0	300	2.0	0.3
FALF2327-203Y	20.0	160	1.2	0.5	FALF1922-502Y	5.0	200	1.2	0.5
FALF2327-143Y	14.0	140	1.0	0.5	FALF1922-302Y	3.0	60	0.5	0.9
FALF2327-103Y	10.0	140	0.8	0.8	FALF1922-202Y	2.0	100	0.4	1.0
FALF2327-792Y	7.9	100	0.8	0.8	FALF1922-102Y	1.0	100	0.4	1.0
FALF2327-602Y	6.0	100	0.8	0.8	FALF3221-503Y	50	300	3.0	0.3
FALF2327-402Y	4.0	100	0.7	0.8	FALF3221-353Y	35	260	2.0	0.5
FALF2327-252Y	2.5	80	0.6	0.8	FALF3221-253Y	25	230	1.2	0.8
FALF2327-182Y	1.8	80	0.6	0.8	FALF3221-203Y	20	200	0.7	0.9
FALF2327-102Y	1.0	60	0.4	1.0	FALF3221-163Y	16	180	0.5	1.0
FALF1922-752Y	7.5	100	2.0	0.4	FALF3221-123Y	12	150	0.4	1.0
FALF1922-502Y	5.0	200	2.0	0.3	FALF3221-103Y	10	120	0.25	2.0
FALF1922-302Y	3.0	150	1.2	0.5	FALF3221-752Y	7.5	100	0.2	2.0
FALF1922-202Y	2.0	100	0.4	1.0	FALF3221-502Y	5.0	80	0.15	3.0
FALF1922-102Y	1.0	100	0.4	1.0	FALF3221-302Y	3.0	60	0.1	3.0
FALF1922-102Y	1.0	50	0.14	1.6	FALF3221-152Y	1.5	50	0.06	4.0
FALF1922-801Y	0.8	50	0.2	1.5	FALF3221-102Y	1.0	50	0.03	5.0

TECHNICAL INFORMATION & PHYSICAL CHARACTERISTICS:

Max operating voltage:250V at 40
 IDC Max: rating AC/DC current A@40
 Hi-Pot 2500V AC winding to winding 3S.
 Insulation resistance 100M Min DC 500V
 Temperature Rise Max:40
 Inductance Testing: 10KHz 0.1V HP4284A
 RDC:QuadTech 1880 Milliohmeter
 Surge current Max 10ms: 20X IDC
 Operating temperature: -40 to +105
 Storage Temperature: -40 to +105
 Resistance to soldering heat:260 for 10 seconds
 Marking: Part number and date code
 Note:All specifications subject to change without notice.



DIMENSIONS IN:mm